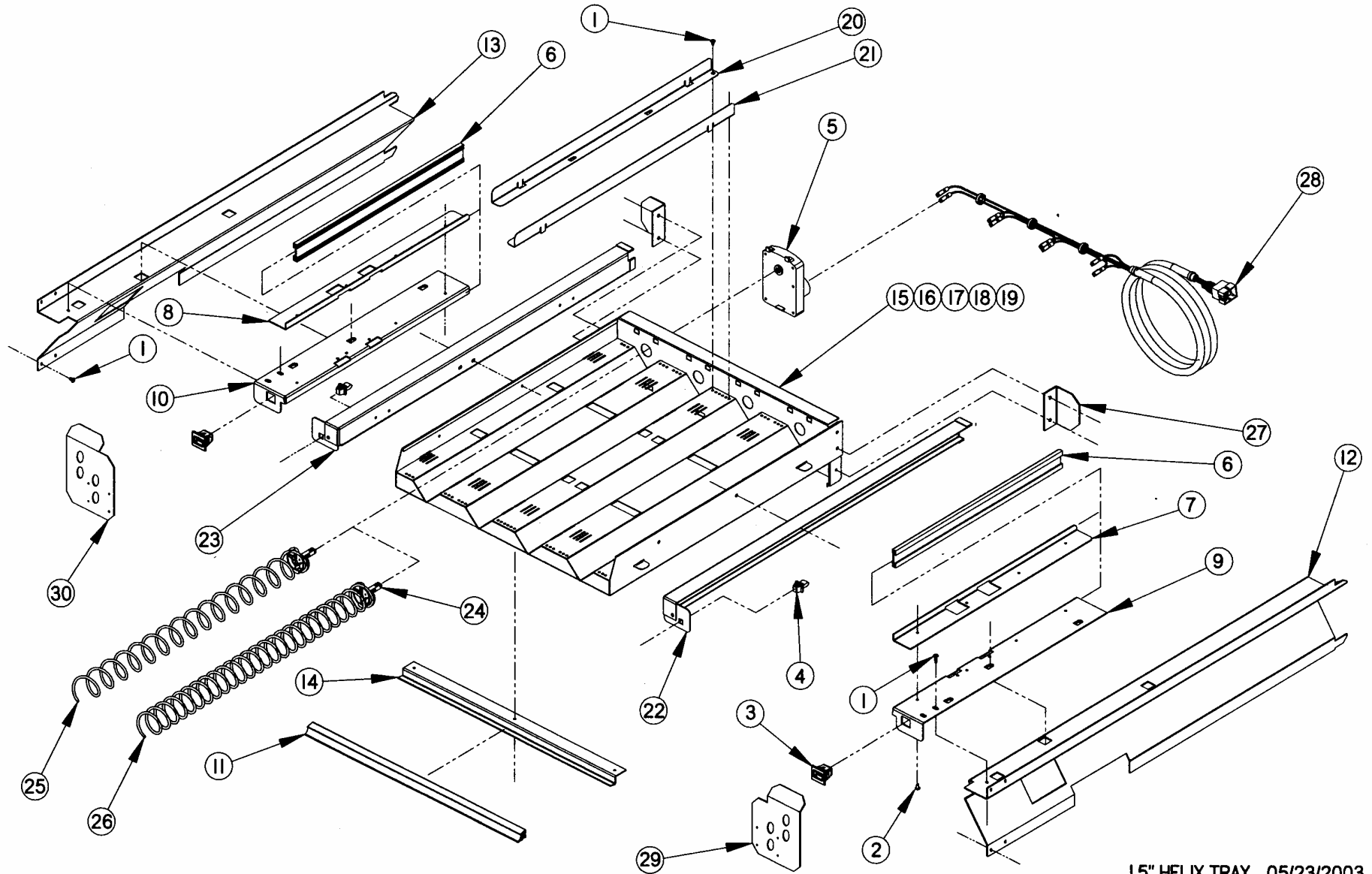


## SECTION 2 - 39" SNACK MERCHANDISER

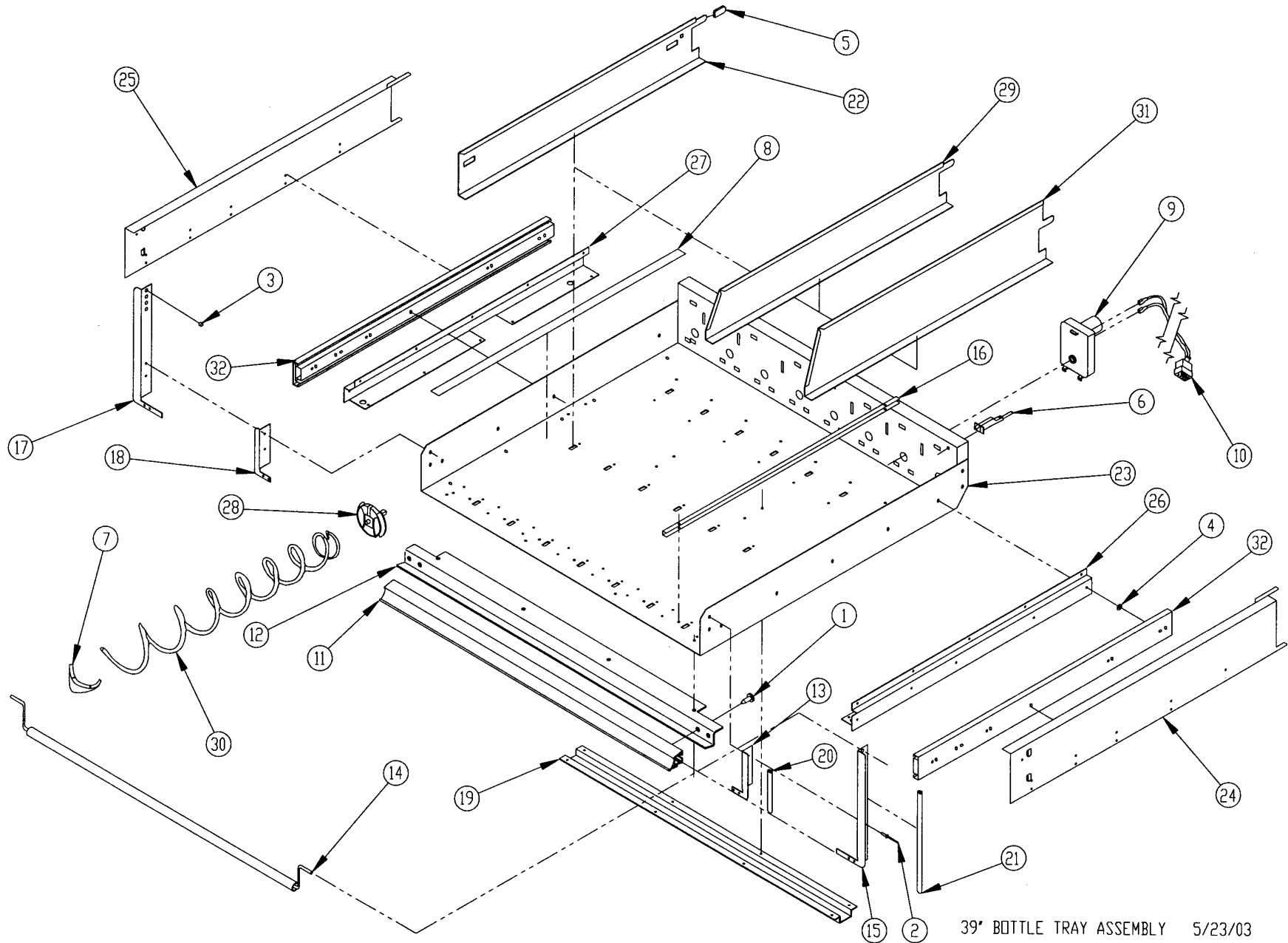
<u>MERCHANDISER PARTS</u>	<u>PAGE</u>
1.5" HELIX TRAY PARTS	2.2
BOTTLE TRAY PARTS	2.4
CABINET AND ADDITIONAL PARTS	2.6
CABINET COVERS AND SCREENS	2.10
CHILLER PARTS	2.12
DOOR, COIN BAY	2.14
DOOR, EXTERNAL PARTS	2.18
DOOR, HINGES AND GLASS	2.22
DOOR, SNACK HOPPER WITH SENSIT I SYSTEM	2.24
DOOR, SNACK HOPPER WITH SENSIT II SYSTEM	2.26
ELECTRICAL HARNESSSES	2.28
GUM AND MINT TRAY PARTS	2.48
HELIX PARTS	2.52
UNIVERSAL (FOOD/SNACK/CANDY) TRAY PARTS	2.54

1.5" HELIX TRAY ILLUSTRATION



1.5" HELIX TRAY PARTS LIST				
ITEM	NOTES	PART NO.	PART DESCRIPTION	QTY
1		3000	Screw, TEK 8-18	18
2		3009-02	Rivet, Pop, Steel, 1/8	34
3		3246	Latch, Nylon, Gum and Mint	2
4		3247	Strike, Nylon, Gum and Mint	2
5		20086	Motor, Single Helix W/O Switch	4
6		20236	Extrusion, Gum and Mint Rail	2
7		20237	Extrusion Mount, Upper (Gum and Mint)(Right Side)	1
8		20237-01	Extrusion Mount, Upper (Gum and Mint)(Left Side)	1
9		20238	Extrusion Mount, Lower (Gum and Mint)(Right Side)	1
10		20238-01	Extrusion Mount, Lower (Gum and Mint)(Left Side)	1
11		20465-04	Extrusion, Price Marker, Reduced Height	1
12	For 39" Vendors Only	20973	Rail, Gum and Mint, Reduced Depth (39")(Right Side)	1
13	For 39" Vendors Only	20973-01	Rail, Gum and Mint, Reduced Depth (39")(Left Side)	1
14		21196	Doubler, Tray 1.5" Helix Tray	1
15		21197	Tray Body, 1.5" Helix Tray	1
16		21199	Tray Back, 1.5" Helix Tray	1
17	Parts 15-19 Are Factory Assembled As A Unit.	21200	Tray Inner Side, 1.5" Helix Tray	2
18		21201	Tray Inner Section, 1.5" Helix Tray	2
19		21202	Tray Inner Mid Section, 1.5" Helix Tray	1
20		21203	Divider, Tray, 1.5" Helix Tray	4
21		21203-01	Divider, Tray, 1.5" Helix Tray	4
22		21204	Tray Slide Channel, 1.5" Helix Tray	1
23		21204-01	Tray Slide Channel, 1.5" Helix Tray	1
24		21206	Helix Adapter, 1.5" Helix Tray	4
25	Standard Tray is Equipped With Two Of Each.	21207-15	Helix, 1.5" Tray, Counterclockwise, Black	2
26		21207-25	Helix, 1.5" Tray, Counterclockwise, Black	2
27		21523	Bracket, Stop, 1.5" Helix Tray	2
28	Normally Plugs Into the "G" Connector.	21584	Harness, 1.5" Helix Tray	1
29		21609	Deflector (Right Side)	1
30		21609-01	Deflector (Left Side)	1

BOTTLE TRAY ILLUSTRATION

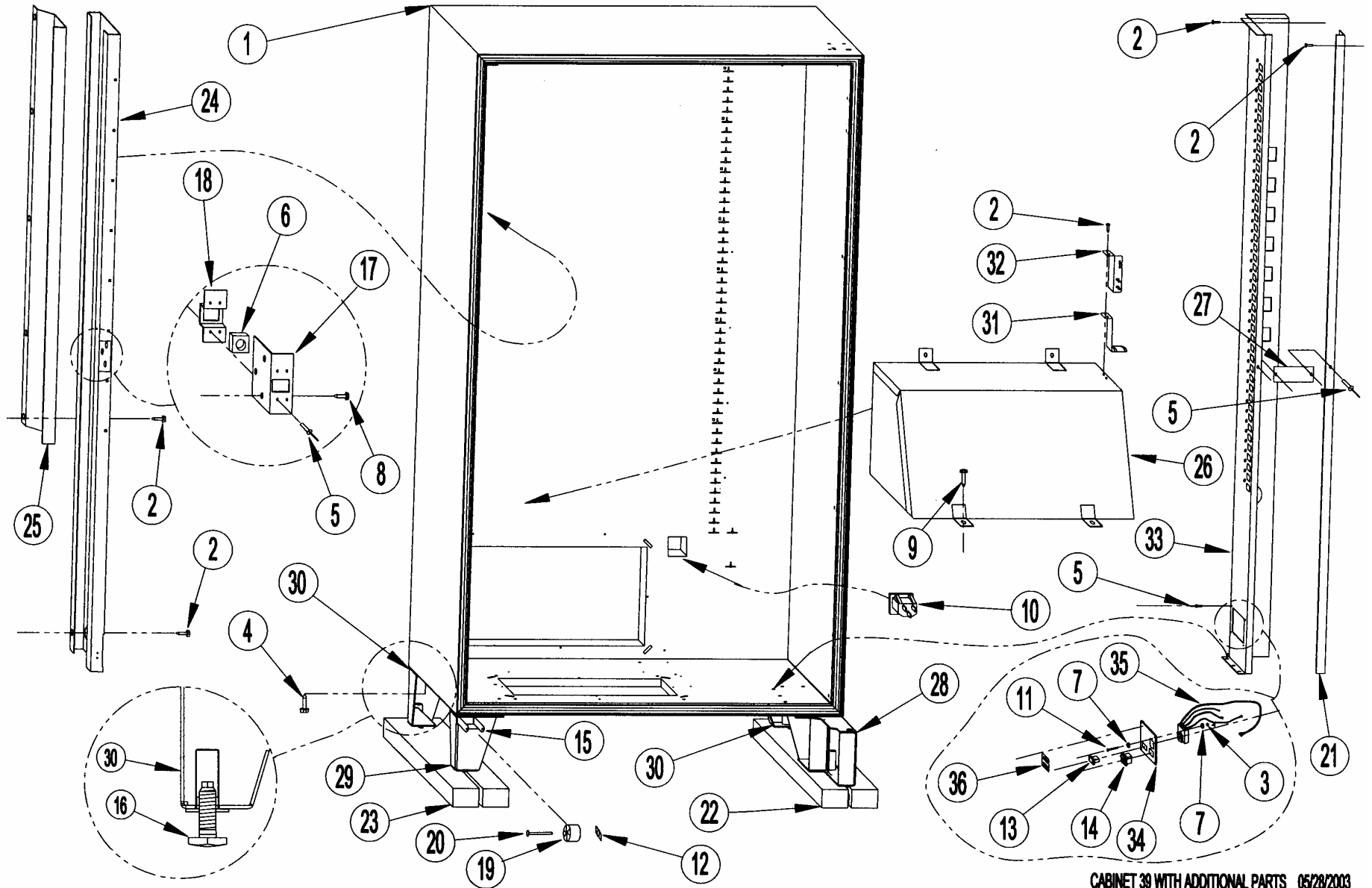


39" BOTTLE TRAY ASSEMBLY 5/23/03

BOTTLE TRAY PARTS LIST

ITEM	NOTE	PART NO	PART DESCRIPTION	QTY
1		3001-03	Screw, Sheet Metal, Type B, 8-18	6
2		3009-02	Rivet, Pop, Steel, 1/8	81
3	Use On 20691 And 20724 for Bottle Tipper	3015	Bearing, Nylon, Snap-In	2
4		3017-05	Washer, Flat Steel	10
5		3021	Protective Cap, Vinyl	7
6		3042-01	Wire Tie, Panel Mount	1
7		3111	Helix Ejector, Small Helix	8
8		3189-01	Tape, UHMW Polyethylene, 3/4" X .005"	16'
9		20086	Motor, Single Helix W/O Switch	8
10		20163	Harness, Tray, 8 Column	1
11		20465-03	Extrusion, Price Marker, Ver. 2	1
12		20644	Tray Doubler, Bottle (39')	1
13	Use With 20690 Without Bottle Tipper	20672	Tray Corner, Bottle, Right	1
14		20690	Assembly, Bottle Tipper Bar	1
15	Use With 20690 For Bottle Tipper	20691	Tray Corner, Bottle Tipper Bar, Right	1
16		20692	Device, Bottle Alignment	8
17	Use With 20690 For Bottle Tipper	20724	Tray Corner, Bottle Tipper Bar, Left	1
18	Use With 20690 Without Bottle Tipper	20725	Tray Corner, Bottle, Left	1
19		20775	Tray Reinforcement, Bottle (39') Ver. 2	1
20	Use On 20672 Without Bottle Tipper	20796-01	Edge Guard, Tray Corner (Only RH)	1
21	Use On 20691 For Bottle Tipper	20796-02	Edge Guard, Tray Corner (Only RH)	1
22		20956	Tray Divider, Reduced Depth (Square Front)	7
23		20960	Tray Body, Bottle, Reduced Depth (39')	1
24		20961	Rail, Bottle Tray, Reduced Depth (RH)	1
25		20961-01	Rail, Bottle Tray, Reduced Depth (LH)	1
26		20962	Bracket, Bottle Tray Rail, Reduced Depth (RH)	1
27		20962-01	Bracket, Bottle Tray Rail, Reduced Depth (LH)	1
28		20966	Helix Adapter, Without Hub	8
29		21276	Tray Divider, Reduced Depth, Tapered Front	7
30	See Helix Description Section For Options.	21336	Helix, 3' Counter-Clockwise, 3.5' Opening, Black	8
31	4.9" High	21374	Tray Divider, Reduced Depth, Tapered Front, High	7
32	1 Pair	21475-02	Rail Slide, Full Extension, 24"	1

CABINET AND ADDITIONAL PARTS ILLUSTRATION



CABINET AND ADDITIONAL PARTS LIST

ITEM	NOTES	PART NO.	PART DESCRIPTION	QTY
1	Cabinet Available As An Assembly Only.	20349	Assembly, Cabinet, 39" Service (Non-H&S)	1
2	Qty As shown in Illustration	3000	Sheet Metal Screw TEK #8-18	46
3		3006-08	Nut, 8-32, Hex, Machine Screw	1
4	4 Per Leg	3007-06	Screw, 5/16-18, Type F	16
5	Qty As shown in Illustration	3009-04	Rivet, Pop, Steel, 1/8 x 1/4 Grip	10
6		3010	Nut, Square, Machine Screw, 1/2"-13	1
7		3017-10	Washer, #10 SAE Flat	2
8		3018	Sheet Metal Screw, 1/4"	3
9		3018-08	Screws, 1/4 x 1 Self Tapping, Hex Head	5
10	Snapped Into Place From Rear of Cabinet	3057	Snap In IEC Power Inlet	1
11		3084-10	Phillips Head 3-32 Screw Self-Tapping, Type 23	1
12	Use 2 with 20176 or 1 with 21250	3113	Pushnut, 3/16" Stud	2
13		3133	Fuse Holder	1
14		3284	Power Switch	1
15		20019	Leg, Roller Bracket	1
16	Cabinet must be Level, Using All Legs	20121	Leg, Leveling	5
17	Items 5, 6, 8, 17, 18 Form Lock	20135	Lock Flange	1
18		20136	Lock Cage	1
19	No Longer Made, Use 20177	20175	Roller	1
		20177	Roller, Molded (Nylon)	
20	No Longer Made, Use 21250	20176	Shaft	1
		21250	Shaft, Headed Roller (Zinc Plated)	
21		20213	Flange, Right Vertical	1
22	Right Side 40" Long	20292	Shipping Board	1
	Right Side 38-3/8"	20292-2	Shipping Board	
23	Left Side 40" Long	20292-01	Shipping Board	1
	Left Side 38-3/8"	20292-03	Shipping Board	
24		20362	Rail Mount, Left Vertical (3")	1
25		20481	Extension, Left Vertical Rail Mount	1
26		20637	Assembly, Chiller Housing (39")	1
		20791	Assembly, Chiller Housing (39")	

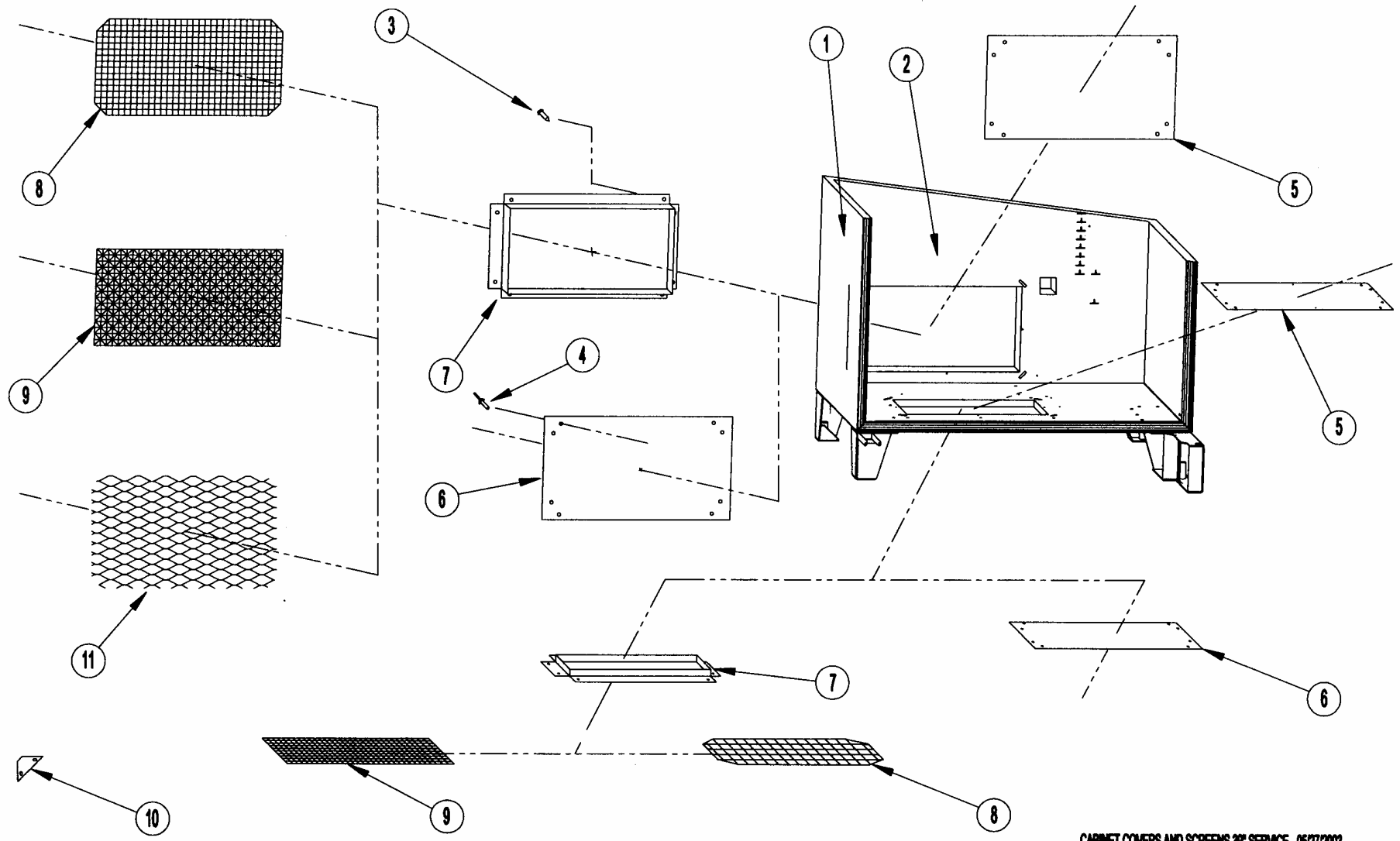
27		21053	Stiffener, Right Vertical Rail Mount	1
28		21122	Assembly, Leg, Front Hinge with Thread Covers	1
29		21123	Assembly, Leg, Left Front with Thread Covers	1
30		21124	Assembly Leg, Rear with Thread Covers	2
31		21265	Bracket, Temperature Sensor	1
32	Use Only With Sensit II Systems	21424	Bracket, Temperature Sensor, Sensit II	1
33		21476	Rail Mount, Right Vertical, Ver. 2	1
34	Supercedes 21478 Plate	21479	Plate, Fuse Holder, Socket And Power Switch Mount	1
35	See HARNESS Section; supercedes 21406	21484	Power harness	1
36		21509	Decal	1



---

THIS PAGE INTENTIONALLY LEFT BLANK

CABINET COVERS AND SCREENS ILLUSTRATION

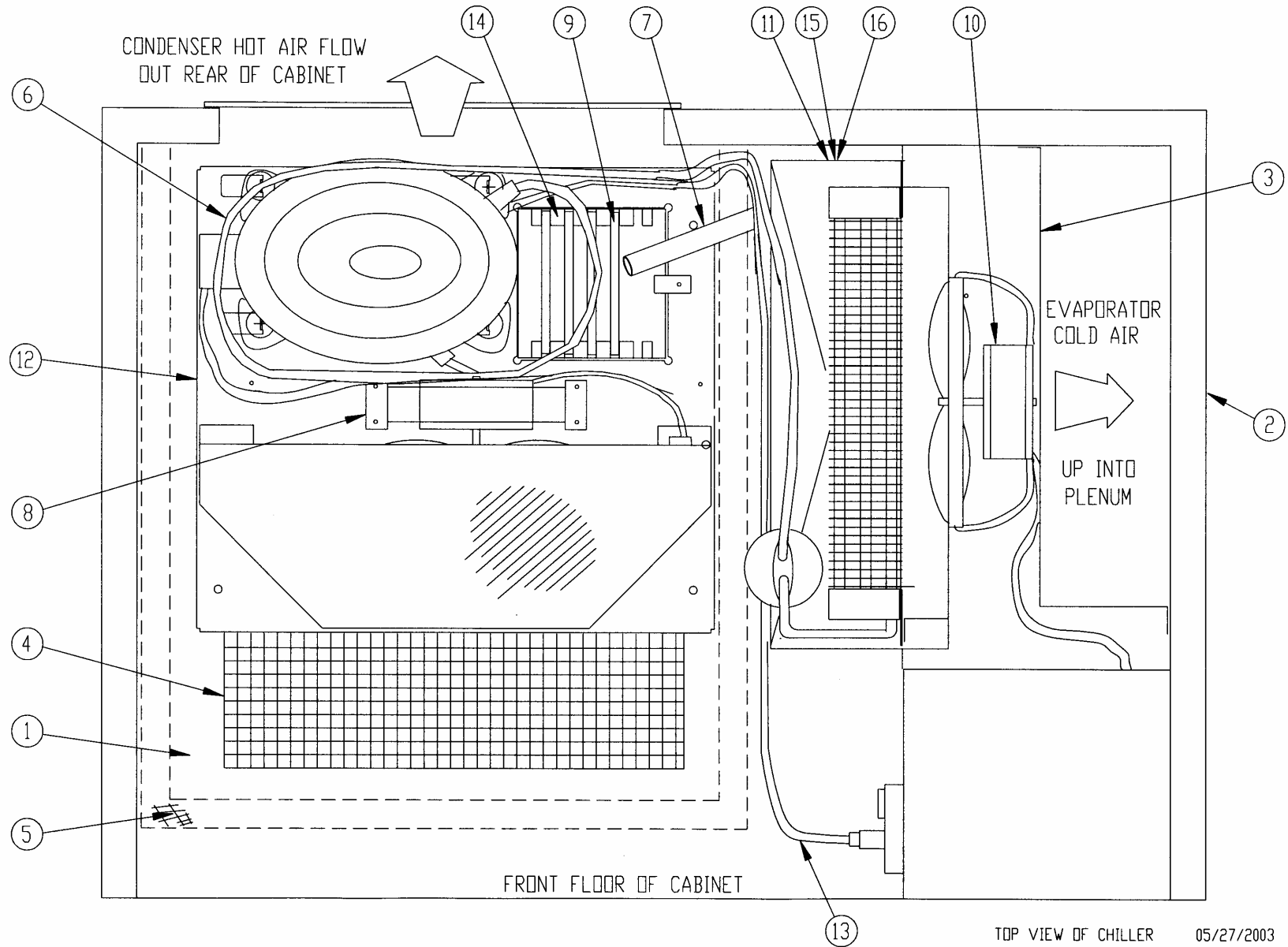


CABINET COVERS AND SCREENS PARTS LIST

ITEM	NOTES	PART NO.	PART DESCRIPTION	QTY
1	Cabinet Wrapper - Outside	-	39" Cabinet	1
2	Cabinet Tank - Inside	-	39" Cabinet	1
3	Quantities For One Trim	3000	Screw, Sheet Metal, TEK 8-18	8
4	Quantities For One Cover	3009-02	Rivet, Pop, Steel, 1/8" (1/3" Long)	8
5	Also Used for Tank Bottom Cover	20185	Tank, Rear Chiller Hole Cover	1
6	Also Used for Wrapper Bottom Cover	20187	Wrapper Rear Chiller Hole Cover 39" Black	1
		20187-01	Wrapper Rear Chiller Hole Cover 39" Coca Cola Red	
		20187-02	Wrapper Rear Chiller Hole Cover 39" Bimbo Blue	
7	Steel Trim Holds Screens Also Used for Bottom Hole	20275	Trim, Rear Chiller Hole 39"	1
8	W/O H&S - ¼ x ¼ Welded Galvanized Also Used for Bottom Hole	20279	Screen, Rear Chiller Hole	1
	With H&S - 1/8 x 1/8 Welded Galvanized Also Used for Bottom Hole	20140	Screen, Rear Chiller Hole, 8 Mesh	
9	18x16 Mesh, .011, Aluminum Also Used for Bottom Hole	20600	Screen, Rear Insect (39")	1
10	Obsolete (ECN 1112)-Not Used	20601	Corner, Insect Screen	2
11	16 GA. Flattened Galvanized Carbon Steel Usually Used Over Rear Screen Only	21308	Expanded Metal, Rear Chiller Hole (39")	1

General Note: The rear opening and the bottom opening are the same size on 39" Cabinet. All screen materials are fitted into trim parts, and trim parts are attached to the outside of the cabinet. The combination of mesh and screens used may differ between merchandisers. Covers to seal the cabinet are always attached inside and outside the cabinet at the same time, and without using the trim.

CHILLER ILLUSTRATION



CHILLER PARTS LIST				
ITEM	NOTES (See Note A Below)	PART NO	PART DESCRIPTION	QTY
1	For Reference	---	Cabinet Floor	1
2	For Reference	---	Cabinet Wall, Right Side	1
3	For Reference	---	Cold Air Plenum Wall	1
4	For Reference	---	Condenser Air Inlet Screen Under Chiller	1
5	For Reference	---	Contact Area of Cabinet Chiller Housing Bottom Seal	1
6	Heat Exchanger Tubing Insulation, 7 Foot	3034	Split Insulation Tubing	1
7	Drains Evaporator Condensate	3059	Plastic Drain Tubing	1
8	Check Voltage!	3065	Fan, Condenser Assembly, 220V, 50Hz, 1 Phase	1
	Check Voltage!	3108	Fan, Condenser Assembly, 110V, 60Hz, 1 Phase	
9		3093	Sponge (Condenser Drain Pan)	4
10	Check Voltage!	3106	Evaporator Fan/Motor Assembly, 220V, 50Hz, 1 Phase	1
	Check Voltage!	3107	Evaporator Fan/Motor Assembly, 110V, 60Hz, 1 Phase	
11	Clamps Tube to Evaporator Pan Drain	3250	Tubing Clamp	1
12	Assembly Only	20031	Assembly, 1/4 H.P. Chiller, 120V, AMS (WV)	1
	Assembly Only	20529	Assembly, 1/4 H.P. Chiller, 240V, AMS (WV)	
	Assembly Only	20530	Assembly, 1/4 H.P. Chiller, 120V, VER 2, AMS (WV)	
	Assembly Only	20531	Assembly, 1/4 H.P. Chiller, 240V, VER 2, AMS (WV)	
	Assembly Only	21598	Assembly, 1/4 H.P. Chiller, 120V (35" & 39"), INTAMS (MEX)	
	Assembly Only	21604	Assembly, 1/4 H.P. Chiller, NAMA Cabinet, 120V (35" & 39"), INTAMS (MEX)	
	Replace with 20963	20782	Assembly, Super 1/3 H.P. Chiller, 120V (39"), AMS (WV)	
	Replace with 21103	21332	Assembly, Super 1/3 H.P. Chiller, 240V (39"), AMS (WV)	
	Assembly Only	20963	Assembly, 1/2 Plus H.P. Chiller, 120V (39"), AMS (WV)	
	Assembly Only	21103	Assembly, 1/2 Plus H.P. Chiller, 240V (39"), AMS (WV)	
Assembly Only	21599	Assembly, 1/2 Plus H.P. Chiller, 120V (39"), INTAMS (MEX)		
13	Use With Both 110V or 220V Systems	20144	Refrigeration Harness	1
14		20307	Condenser Drain Pan	1
15		21076	Pan, 1/2" Evaporator Drain	1
16		21077	Base, 1/2" Evaporator Drain Pan	1

NOTE A: Item 12 is replaceable as an assembly only.



DOOR, COIN BAY PARTS LIST

	NOTE	PART NO.	PART DESCRIPTION	QTY
1	See Door External Parts for Door P/N's	----	Assembly, Foamed Door, 35"	1
2	Contact AMS to obtain program chip with software for your application.	---	Program Chip	1
3		3000	Screw, Sheet Metal TEK 8-18	18
4		3005-04	Carriage Bolt, #10-24, 1/2"	5
5		3006-10	Nut, Hex, Machine Screw, #10-24	5
6		3009-04	Rivet, Steel, 1/8", Black, 3/8"-Grip Length 1/4"	10
7		3017-06	Washer, Flat Steel, SAE Std., #6 Screw 5/32	10
8		3017-10	Washer, Flat Steel, SAE Std., #10 Screw 7/32 X 1/2	2
9		3036	Switch, Panel Mount Rocker	1
10	For Doors with Metal Doublers	3037-1	PC Board Support (3/16")	6
	For Doors with Plastic Doublers, See Note	3291	PC Board Support	
11		3038	Rivet, Nylon, Trim	5
12	For Sensit II Display Only	3278	Circuit Board Support	4
13	Obsolete – Use P/N 20818	20007	Electronic Control (Snack/Food Only)	1
	Obsolete – Use P/N 20818	20673	Electronic Control (Snack/Food Or Visi-Combo)	
		20818	Electronic Control (With Bottle Connector)	
	For Sensit II System Only	21342	Control Board, Sensit II	
14		20008	Display Board, Digital	1
	For Sensit II System Only	21431	Display, 2 Line, 16 Character, Sensit II	
15	39" Snack	20077	Mounting Panel, Changer	1
16		20081	Scavenger Button	1
17		20099	Coin Chute, Insert	1
18		20100	Coin Chute Cover	1
19	39" Snack	20129	Coin Box Bulkhead	1
20	39" Snack	20339	Assembly, Coin Chute	1
21	39" Snack	20340	Assembly, Coin Cup	1
22		20343	Coin Door Assembly, Lower	1
23		20526	Assembly, Coin Box	1
24		20606	Bracket, Changer Mounting Panel	1

25	39" Snack	20631	Bracket, Scavenger Stop	1
26	Obsolete stiffener version - verify correct application for your machine.	20706	Door Stiffener, Upper, Without Fuse And Switch	1
		20400	Door Stiffener, Upper (With Fuse And Switch)	
27	Obsolete stiffener version - verify correct application for your machine.	20707	Door Stiffener, Bottom With Switch	1
		20281	Door Stiffener, Bottom (Without Fuse And Switch)	
28		20751	Assembly, Scavenger	1
29		20752	Assembly, Coin Door, Upper (51")	1
30	For Sensit II System Only	20762	Assembly, Led Mount Bracket	1
		21423	Bracket, Display 80mm x 36mm	

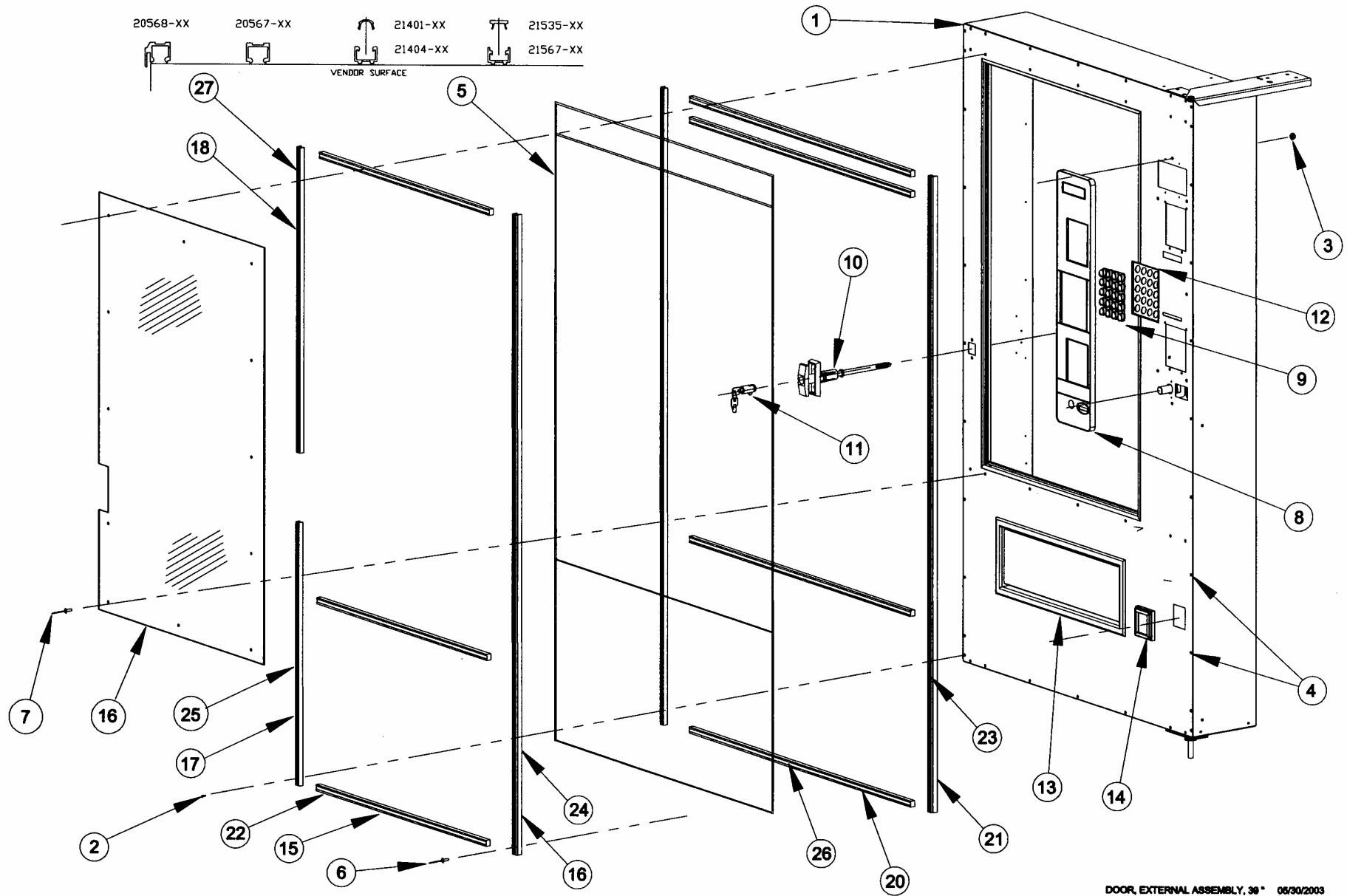
Note for Item 10: Plastic Doublers used in 39" doors from 0001-1119 through 0017-1119, and 0001-1121 and after



---

THIS PAGE INTENTIONALLY LEFT BLANK

DOOR, EXTERNAL PARTS ILLUSTRATION



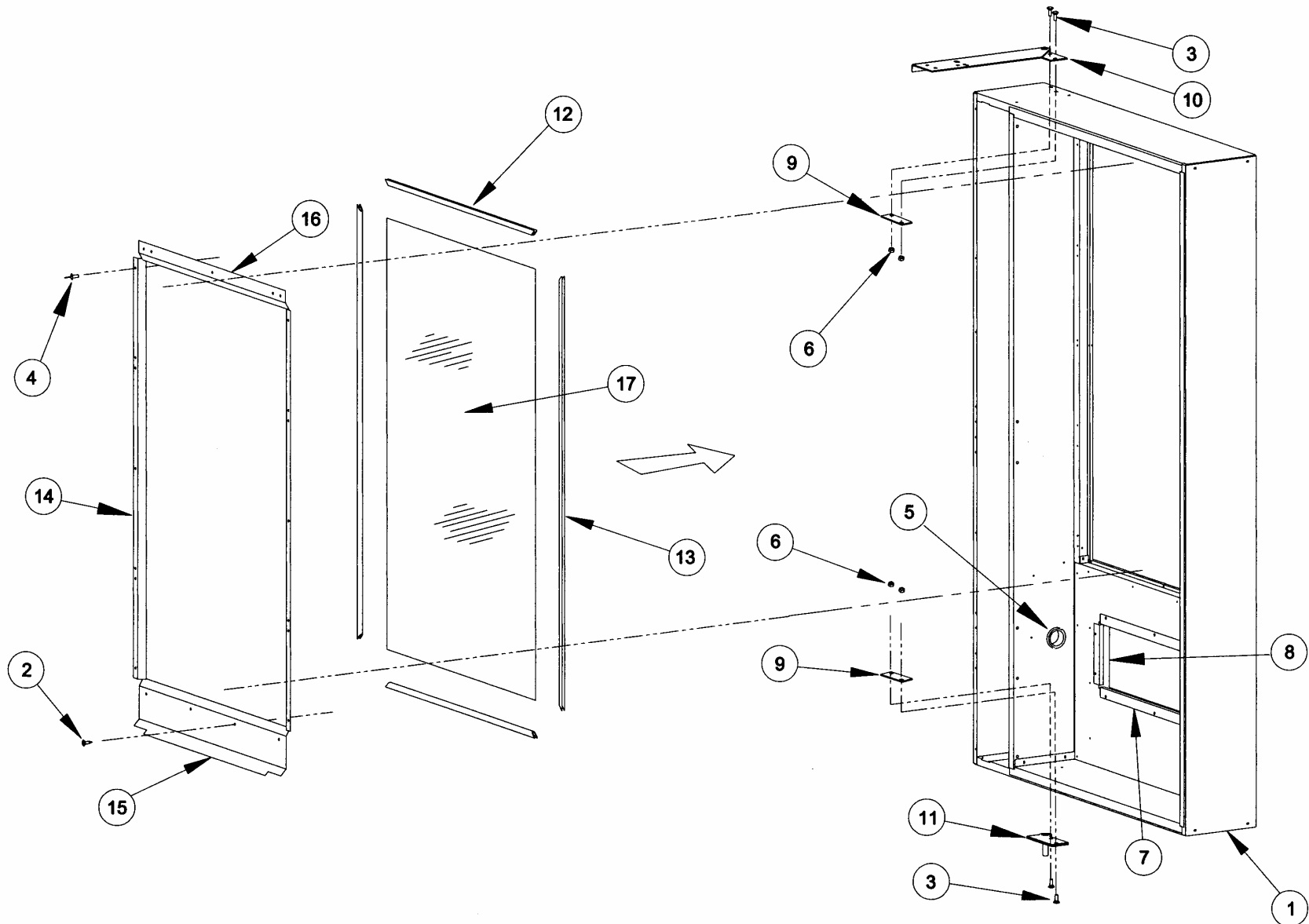
DOOR, EXTERNAL PARTS LIST

ITEM NO.	NOTE	PART NO.	PART DESCRIPTION	QTY.
1	No Trim Option	21338	Assembly, Foamed Door, Low Temp (39")	1
	Items 5, 20, 21 Used For This Door	21339	Assembly, Foamed Door, Low Temp W/Trim Holes (39")	
	Items 2, 4-6, 15-19, 22, 24, 25, 27 Used For This Door	21340	Assembly, Foamed Door, Low Temp W/WC Holes (39")	
	No Trim Option, Item 19 Used on This Door	21341	Assembly, Foamed Door, Low Temp W/WC Holes W/O Trim Holes (39")	
	No Trim Option	21482	Assembly, Door (39"), Low Temp, Less Options	
	No Trim Option	21493	Assembly, Foamed Door, Low Temp (39"), Coke Red	
	Items 5, 20, 21 Used For This Door	21494	Assembly, Foamed Door, Low Temp W/Trim Holes (39"),Coke Red	
	Items 2, 4-6, 15-19, 22, 24, 25, 27 Used For This Door	21495	Assembly, Foamed Door, Low Temp W/WC Holes (39"),Coke Red	
	No Trim Option, Item 19 Used on This Door	21496	Assembly, Foamed Door, Low Temp W/WC Holes W/O Trim Holes (39") Coke Red	
	Items 5, 20, 21 Used For This Door	21520	Assembly, Foamed Door, Low Temp (39")	
	Items 2, 4-6, 15-19, 22, 24, 25, 27 Used For This Door	21521	Assembly, Foamed Door, Low Temp W/WC Holes (39")	
	See Note A Below. No Trim Option	21620	Assembly, Foamed Door, Low Temp, Plastic Doubler, (39")	
	See Note A Below. Items 5, 20, 21 Used For This Door	21621	Assembly, Foamed Door, Low Temp, Plastic Doubler, W/Trim Holes (39")	
	See Note A Below. Items 2, 4-6, 15-19, 22, 24, 25, 27 Used For This Door	21622	Assembly, Foamed Door, Low Temp, Plastic Doubler, W/WC Holes (39")	
See Note A Below. No Trim Option, Item 19 Used on This Door	21623	Assembly, Foamed Door, Low Temp, Plastic Doubler, W/WC Holes W/O Trim Holes (39")		
2	For Use With 21404, 21522, 21567	3000	Screw, Sheet metal, TEK 8-18	28
3	For securing Escutcheon	3011	Self Threading Nut, 1/4" Stud	8
4	For Use With 20567-01, 20568-01, 20451-03, 20451-05, 20451-06, 20451-07	3038	Rivet, Nylon, Trim	40
5	See NOTE B. Use With 20567-01, 20568-01, 20451-04, 20451-05, 20451-06, 20451-07,	3122	Striping Tape, 1/4" Black (Optional for Riveted Aluminum)	21'
6	For Use With 20567-01, 20568-01, 20451-03, 20451-05, 20451-06, 20451-07	3156-10	Rivet, Aluminum, 1/8" Diameter, Natural (5/8" Grip)	15

7	For Securing Window Covers	3172-02	Rivet, Aluminum, ¼" Diameter, Natural (1/4" Grip)	15
8		20082	Escutcheon	1
9		20097	Button	20
10		20130	T-Lock Assembly (Lockset And Keys 20131)	1
11		20131	Lockset And Keys	1
12		20199	Membrane Switch	1
		20199-01	Membrane Switch, Without Lettering	
13		20259	Assembly. Vend Eyelet, (39")	1
14		20330	Trim, Extruded Edge (20330-01 and -02)	2
15	See NOTE A Below	20451-04	Trim, Aluminum #1, 29.19	3
	See NOTE C Below	21404-04	Trim Base, W/Holes, Aluminum (Natural)	
		21522-04	Trim Base, W/Holes, Painted (Black)	
	See NOTE D Below	21567-04	Recessed Trim Base With Holes	
16	See NOTE B Below	20451-05	Trim, Aluminum #1, 63.25	1
	See NOTE C Below	21404-05	Trim Base, W/Holes, Aluminum (Natural)	
		21522-05	Trim Base, W/Holes, Painted (Black)	
	See NOTE D Below	21567-05	Recessed Trim Base With Holes	
17	See NOTE B Below	20451-06	Trim, Aluminum #1, 30.17	1
	See NOTE C Below	21404-06	Trim Base, W/Holes, Aluminum (Natural)	
		21522-06	Trim Base, W/Holes, Painted (Black)	
	See NOTE D Below	21567-06	Recessed Trim Base With Holes	
18	See NOTE B Below	20451-07	Trim, Aluminum #1, 29.48	1
	See NOTE C Below	21404-07	Trim Base, W/Holes, Aluminum (Natural)	
		21522-07	Trim Base, W/Holes, Painted (Black)	
	See NOTE C Below	21567-07	Recessed Trim Base With Holes	
19		20547	Window Cover, Polycarbonate (39"), .110 Thick	1
		20547-01	Window Cover, Polycarbonate (39"), .180 Thick	
		20547-02	Window Cover, Polycarbonate (39"), .234 Thick	
		20547-03	Window Cover, Polycarbonate (39"), .234 Thick, MR-10 Scratch Resistant	
20	See NOTE B Below	20567-01	Trim, Riveted Aluminum #1 (34.95)	4
	See NOTE C Below	21404-07	Trim Base, W/Holes, Aluminum (Natural)	
		21522-07	Trim Base, W/Holes, Painted (Black)	
	See NOTE D Below	21567-07	Recessed Trim Base With Holes	

21	See NOTE B Below	20568-01	Trim, Riveted Aluminum #2 (63.075)	2
	See NOTE C Below	21404-05	Trim Base, W/Holes, Aluminum (Natural)	
		21522-05	Trim Base, W/Holes, Painted (Black)	
	See NOTE D Below	21567-05	Recessed Trim Base With Holes	
22	Use With 21404-04 and 21522-04	21401-04	Trim, Insert, Plastic, Black	3
	Use with 21567-04	21535-04	Trim, Plastic Insert, For Recessed Base	
23	Use With 21404-05 and 21522-05	21401-05	Trim, Insert, Plastic, Black	2
	Use with 21567-05	21535-05	Trim, Plastic Insert, For Recessed Base	
24	Use With 21404-05 and 21522-05	21401-05	Trim, Insert, Plastic, Black	1
	Use with 21567-05	21535-05	Trim, Plastic Insert, For Recessed Base	
25	Use With 21404-06 and 21522-06	21401-06	Trim, Insert, Plastic, Black	1
	Use with 21567-06	21535-06	Trim, Plastic Insert, For Recessed Base	
26	Use With 21404-07 and 21522-07	21401-07	Trim, Insert, Plastic, Black	4
	Use with 21567-07	21535-07	Trim, Plastic Insert, For Recessed Base	
27	Use With 21404-07 and 21522-07	21401-07	Trim, Insert, Plastic, Black	1
	Use with 21567-07	21535-07	Trim, Plastic Insert, For Recessed Base	
NOTE A	Assembly, Foamed Door, Low Temp, Plastic Doublers are production parts installed on merchandisers 0001-1119 through 0017-1119, and 0001-1121 and after.			
NOTE B	Trim Parts 20567-01, 20568-01, 20451-03, 20451-05, 20451-06, 20451-07 and 3122 were production parts prior to vendor numbers 0238-1106 C2, and also for vendors 0001-1107 C2, 0067-1107 C2 through 0071-1107 C2 and 0102-1107 C2 through 0112-1107 C2.			
NOTE C	Trim parts 21404 Trim Base, W/Holes, Aluminum (Natural), 21401 Trim, Insert, Plastic, Black, and 21522 Trim Base, W/Holes, Painted (Black), became production parts installed on merchandiser 0238-1106 through 0243-1106, 0002-1107 through 0066-1107, 0072-1107 through 0101-1107, 0001-1108 and after. Prior parts are no longer being installed.			
NOTE D	Trim parts 21567 Recessed Trim Base With Holes (35" and 39"), and 21535 Trim, Plastic Insert, For Recessed Base, became production parts installed on merchandiser 0084-1121 and after. Prior parts are no longer being installed.			

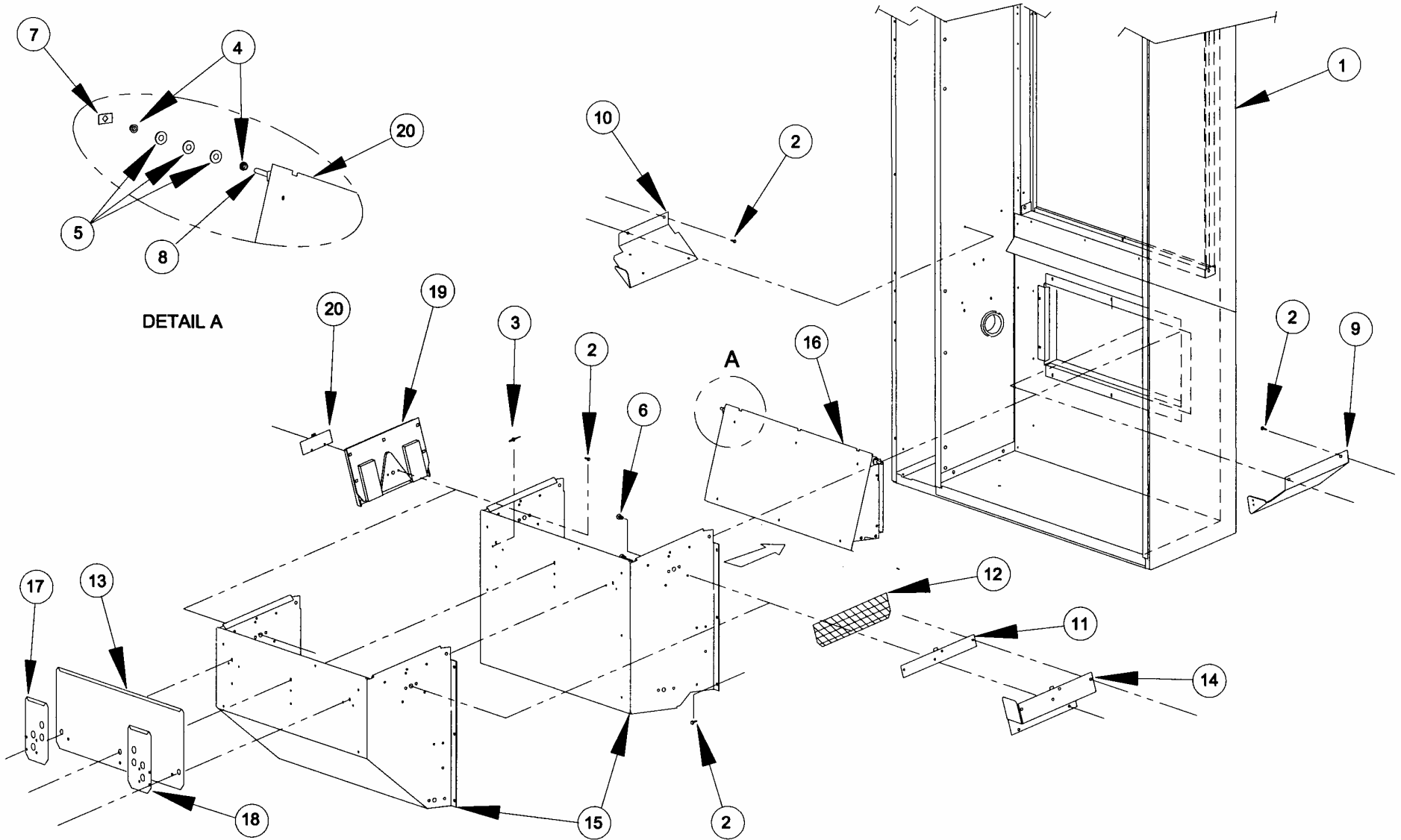
DOOR, HINGES AND GLASS ILLUSTRATION



DOOR, HINGES AND GLASS PARTS LIST

ITEM NO.	NOTE	PART NO.	PART DESCRIPTION	QTY
1	See Door External Parts For Door P/N's	----	Assembly, Foamed Door, (39")	1
2	For Glass Retainers	3000	Screw, TEK 8-18	9
3		3004-06	Carriage Bolt, 1/4-20, 3/4"	4
4	For Glass Retainers	3009-2	Rivet, 1/8", Steel	8
5		3025-24	Grommet, Rubber, 1 1/2 ID X (1 3/4 OD X .062 Groove)	1
6		3153-11	Nut, Hex With Lock Washer	4
7		20091	Retainer, Hor. Eyelet (39")	2
8		20092	Retainer, Vert. Eyelet (35 & 39")	2
9		20206	Hinge, Washer plate	1
10		20302	Assembly, Hinge, Top (Black), Door	1
11		20303	Assembly, Hinge Bottom, Door	1
12	Use with Glass	20330-03	Trim, Extruded Edge, 26.76, Hor.	2
13	Use with Glass	20330-04	Trim, Extruded Edge, 42.00, Vert.	2
14	Use with 20629	20615	Retainer, Triple Pane Glass, Vertical	2
	Use with 20841	21043	Retainer, 1-1/8" Triple Pane Glass, Vertical (39")	
15	Use with 20629	20616	Retainer, Triple Pane Glass, Bottom Ver. 3 (39")	1
	Use with 20841	21044	Retainer, 1-1/8" Triple Pane Glass, Bottom (39")	
16	Use with 20629	20617	Retainer, Triple Pane Glass, Top (39")	1
	Use with 20841	21042	Retainer, 1-1/8" Triple Pane Glass, Top (39")	
17		20629	Window, Glass, Triple Pane (39")	1
	Use with 21482 Door	20481	Window, Glass, 1-1/8" Triple Pane (39")	

DOOR, SNACK HOPPER WITH SENSIT I ILLUSTRATION





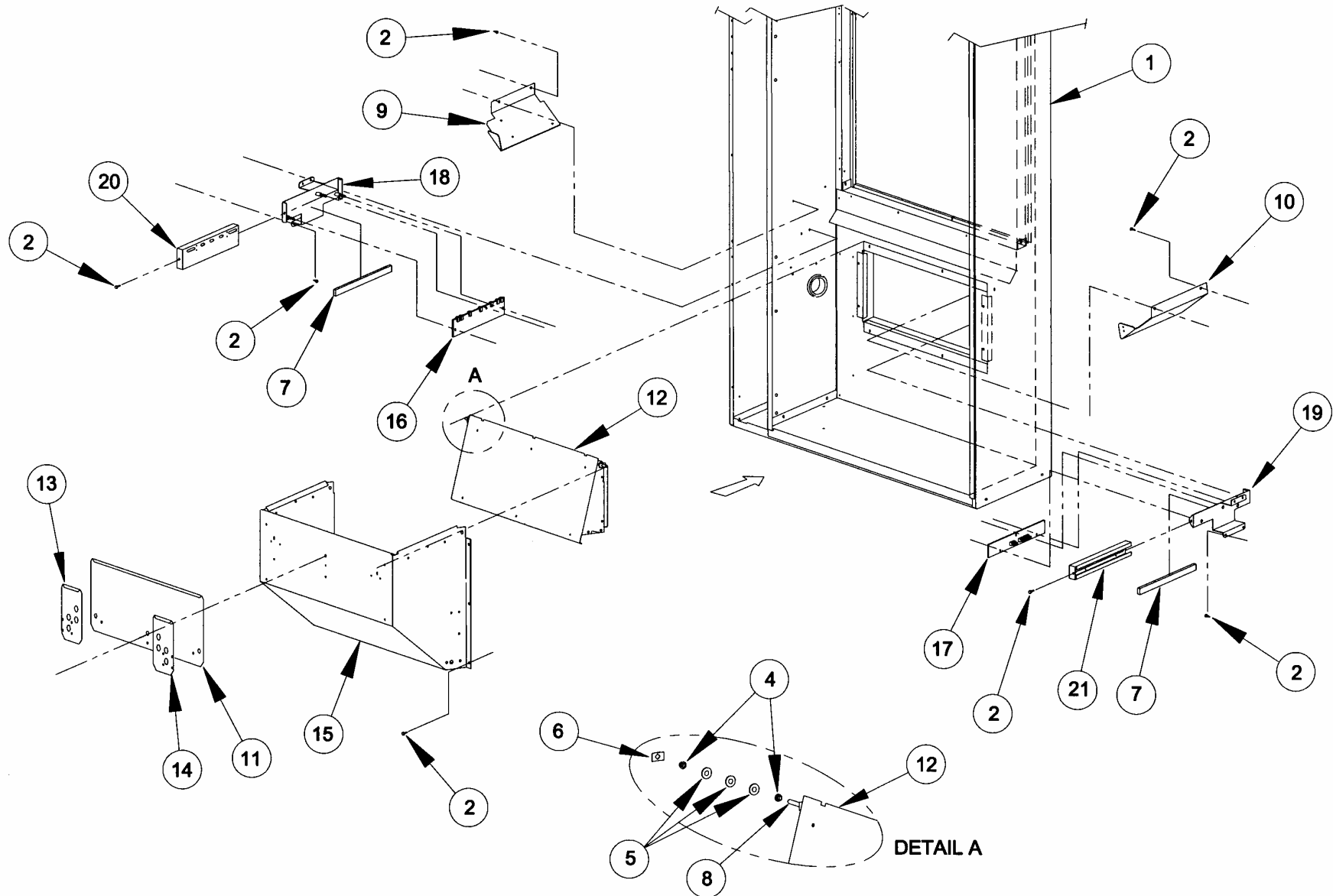
DOOR, SNACK HOPPER WITH SENSIT I PARTS LIST

ITEM NO.	NOTE	PART NO.	PART DESCRIPTION	QTY.
1	See Door External Parts For Door P/N's	----	Assembly, Foamed Door, 39"	1
2	(Estimated Quantity)	3000	Screw, TEK 8-18	15
3	(Estimated Quantity)	3009-04	Rivet, Pop, Steel, 1/8 x 1/4 Grip	8
4		3015	Bearing, Nyliner Snap-In	4
5		3017-10	Washer, Flat Steel, SAE Std. , #10 Screw 7/32 X 1/2	6
6	Nylon Rivet/Fastener	3046	Bumper	2
7		3113	Pushnut, 3/16" Stud	2
8		20108	Vend Door, Shaft (39")	1
9	(Left Hand When Facing Front Of Door)	20247	Product Kicker, Left	1
10		20248	Product Kicker Right	1
11		20252	Sensor, Emitter Board	1
12		20261	Sensor Diffuser	1
13	Used if not equipped with Gum and Mint Tray	20328	Deflector Plate (39")	1
		21099	Deflector Plate, Reduced Depth, 39" (Top Bent 45°)	
14		20345	Emitter Mounting Bracket Assembly	1
15	See Note Below	20338	Assembly, Vend Hopper, 39" (square bottom)	1
		20780	Assembly, Bottle Hopper (tapered back)	
16		20348	Assembly, Vend Door, 39"	1
17		20429	Deflector Plate, Gum And Mint (Used W/Gum And Mint), Right	1
18		20429-01	Deflector Plate, Gum And Mint (Used W/Gum And Mint), Left	1
19		20518	Assembly, Sensor	1
20	For Vend Sensing Only – See Note Below	20541	Sensor, Detector Board 2	1

NOTE FOR LINE 15 From Vendor S.N. 0046-1114 (10/29/02) and after, all 39" vending machines will be equipped with the bottle hopper only.

NOTE FOR LINE 20: For 39" snack machines, there is no product sensor inside the hopper for detecting if vended products have been removed.

DOOR, SNACK HOPPER WITH SENSIT II ILLUSTRATED



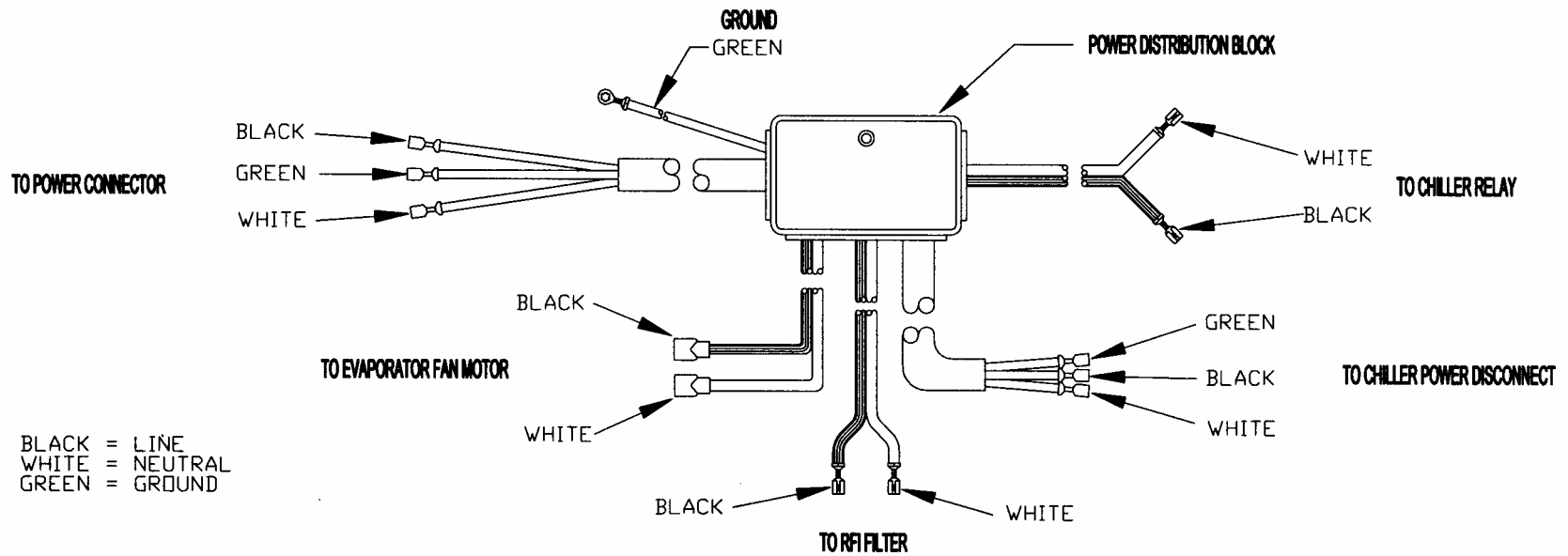
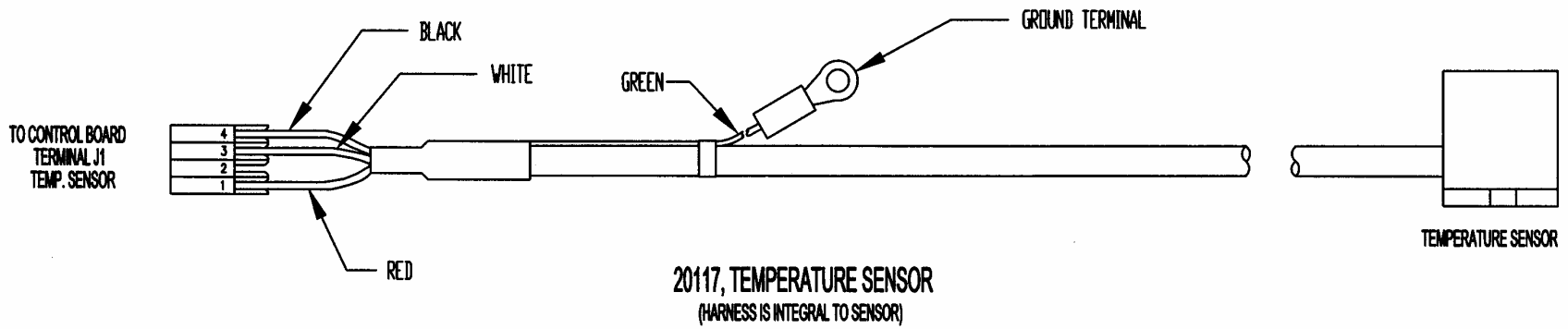
DOOR, SNACK HOPPER WITH SENSIT II SYSTEM PARTS LIST

ITEM NO.	NOTE	PART NO.	PART DESCRIPTION	QTY.
1	See Door External Parts For Door P/N's	----	Assembly, Foamed Door, 39"	1
2	(Estimated Quantity)	3000	Screw, TEK 8-18	24
3	(Estimated Quantity)	3009-04	Rivet, Pop, Steel, 1/8 x 1/4 Grip	8
4		3015	Bearing, Nyliner Snap-In	4
5		3017-10	Washer, Flat Steel, SAE Std. , #10 Screw 7/32 X 1/2	6
6		3113	Pushnut, 3/16" Stud	2
7	Cut To Length As Required	3237	Tape, 3/8 x 1/4", Urethane Foam, Adhesive Backed	15"
8		20108	Vend Door, Shaft (39")	1
9	(Left Hand When Facing Front Of Door)	20247	Product Kicker, Left	1
10		20248	Product Kicker Right	1
11	Used if not equipped with Gum and Mint Tray	20328	Deflector Plate (39")	1
		21099	Deflector Plate, Reduced Depth, 39" (Top Bent 45°)	
12		20348	Assembly, Vend Door, 35"	1
13		20429	Deflector Plate, Gum And Mint (Used W/Gum And Mint), Right	1
14		20429-01	Deflector Plate, Gum And Mint (Used W/Gum And Mint), Left	1
15	See Note Below	20780	Assembly, Vend Bottle Hopper (39") (Tapered Back)	1
16	For Vend Sensing Only – See Note Below	21383	Detector, Delivery Sensor, Sensit II	1
17		21384	Emitter, Delivery Sensor, Sensit II	1
18		21413	Assembly, Delivery Sensor Detector Bracket, Sensit II	1
19		21415	Assembly, Delivery Sensor Emitter Bracket, Sensit II	1
20		21418	Assembly, Delivery Sensor Detector Cover, Sensit II	1
21		21420	Assembly, Delivery Sensor Emitter Cover, Sensit II	1

NOTE FOR LINE 15: From Vendor S.N. 0046-1114 (10/29/02) and after, all 39" vending machines will be equipped with the bottle hopper only.

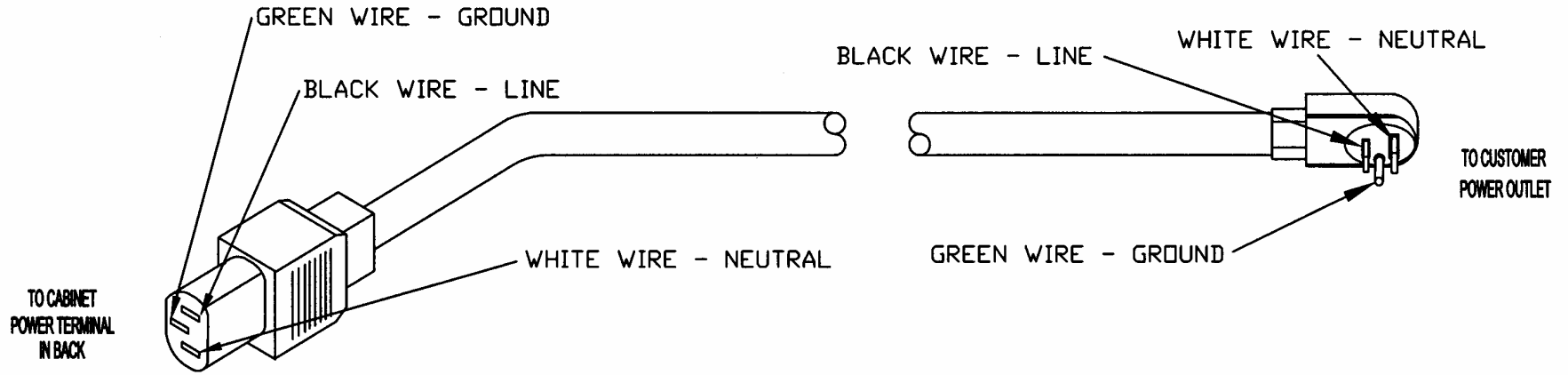
NOTE FOR LINE 16: For 39" snack machines, there is no product sensor inside the hopper for detecting if vended products have been removed.

ELECTRICAL HARNESSES ILLUSTRATIONS  
SHEET 1

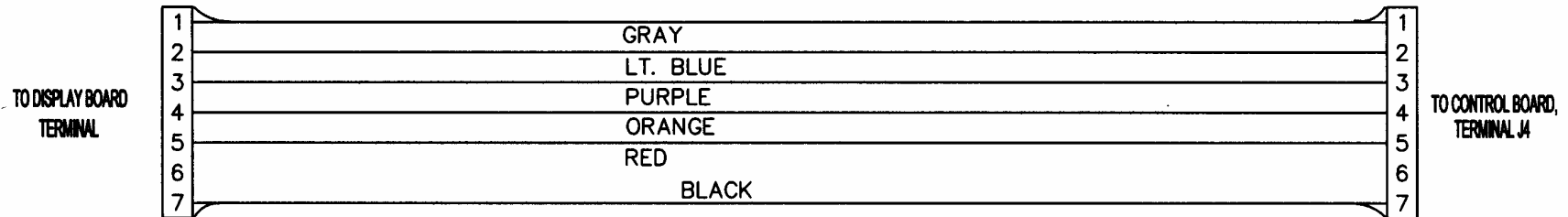


**20141 HARNESS, POWER DISTRIBUTION**

SHEET 2



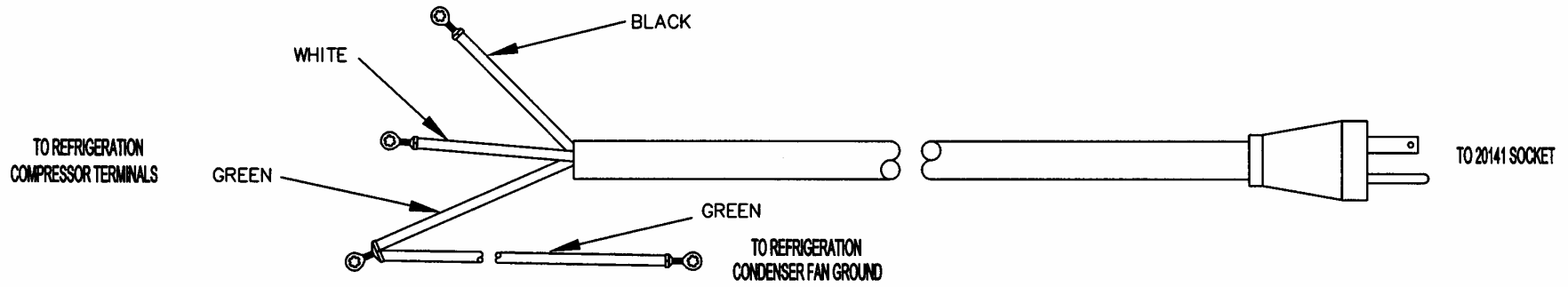
20142, POWER CORD ASSEMBLY, 115V DOMESTIC (U.S.)



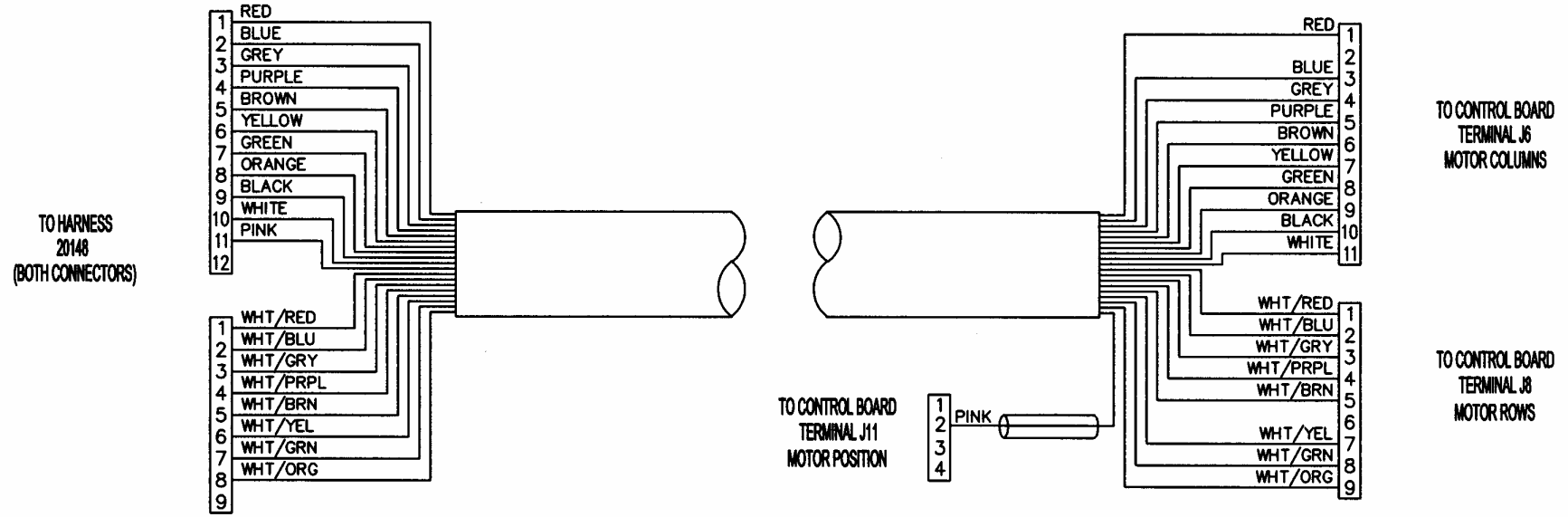
20143, HARNESS, DISPLAY

(SAME CONNECTOR ON BOTH ENDS)

SHEET 3

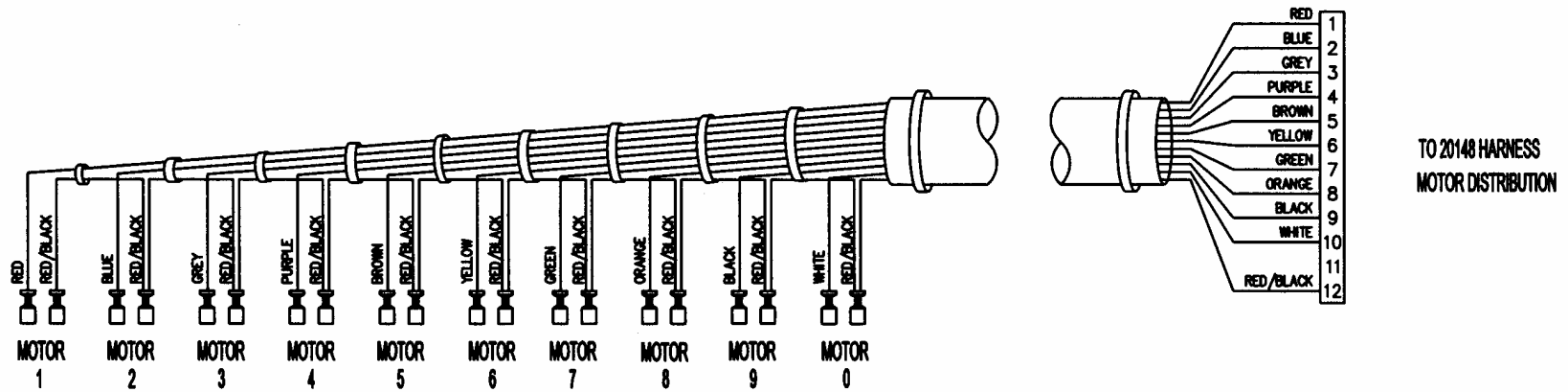


20144. HARNESS. REFRIGERATION. 115V



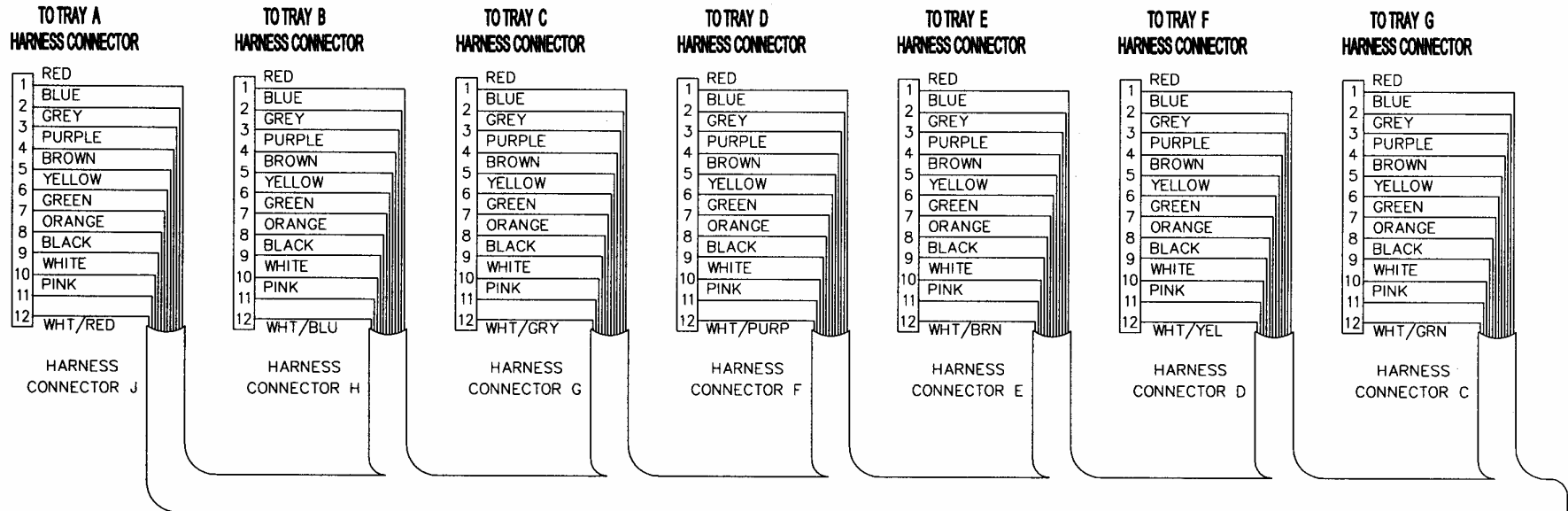
20146. HARNESS. DOOR MOTORS

SHEET 4

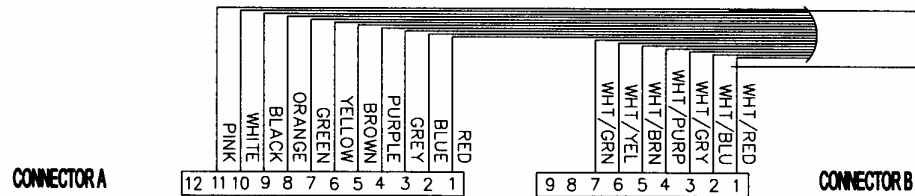


20147, HARNESS, TRAY, 10 COLUMN

SHEET 5



(CONNECTOR A IS JUMPERED TO ALL CONNECTORS TO TRAYS, PINS 1 -11)

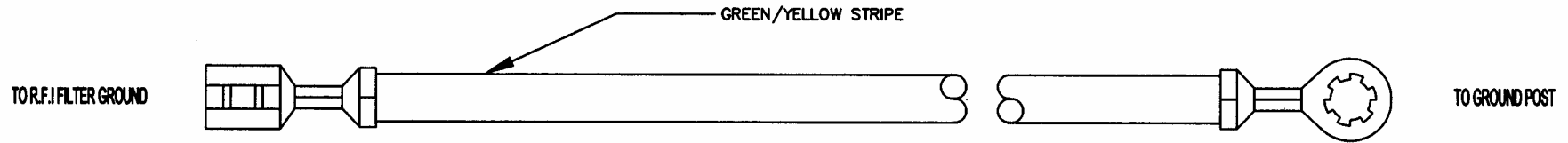


CONNECTOR A AND B TO 20146 HARNESS, DOOR MOTOR

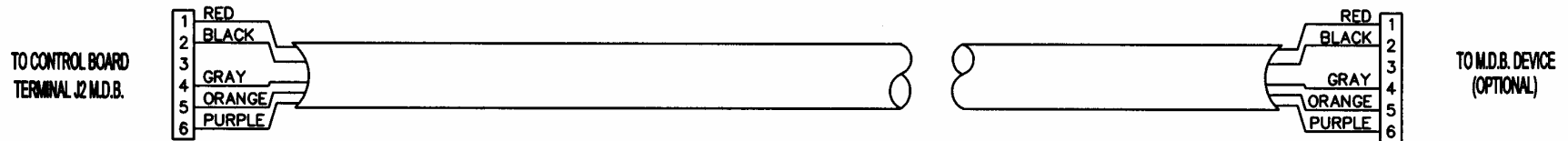
20148, HARNESS, MOTOR DISTRIBUTION



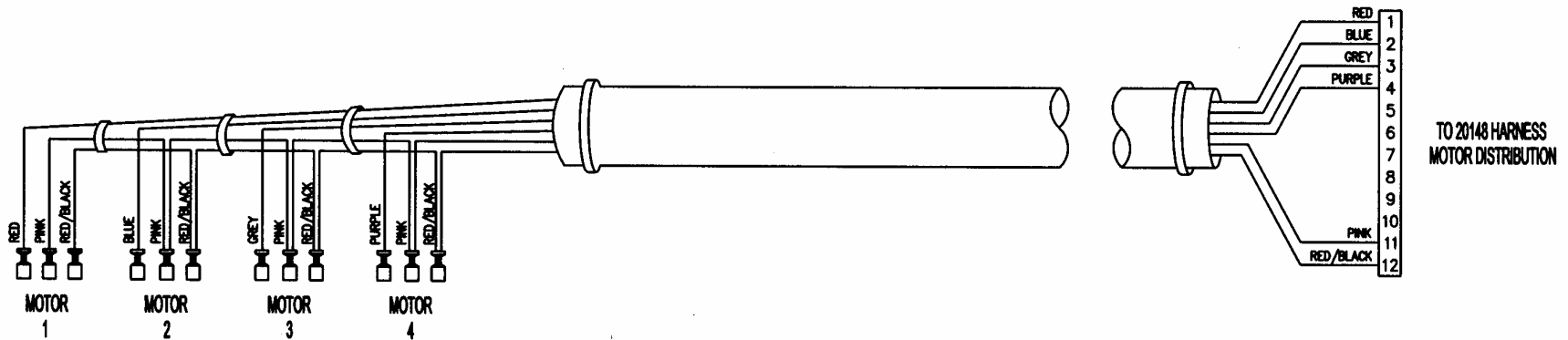
SHEET 6



20154, HARNESS, R.F.I. FILTER GROUND

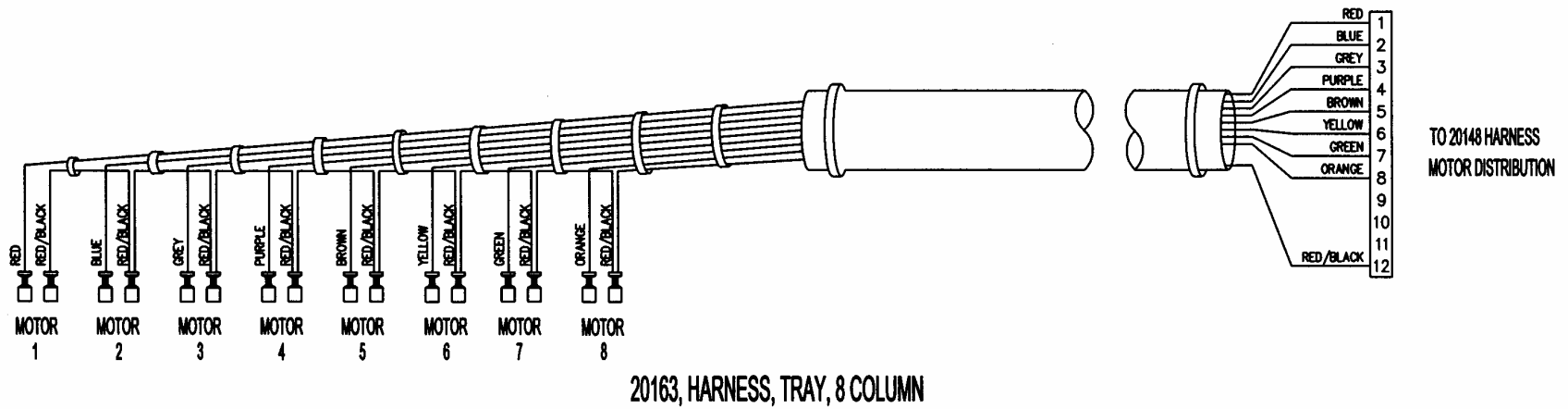
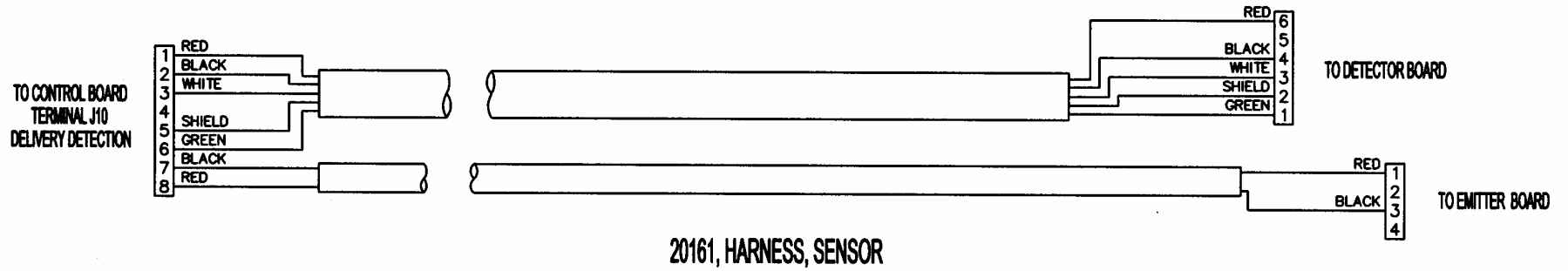


20158, HARNESS, MULTI-DROP BUS

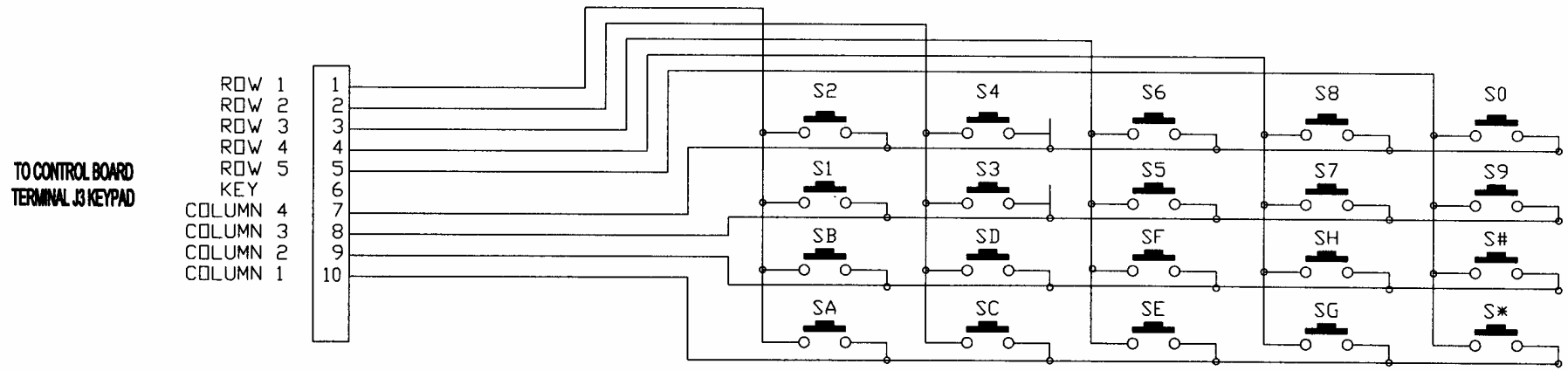


20160, HARNESS, GUM AND MINT TRAY

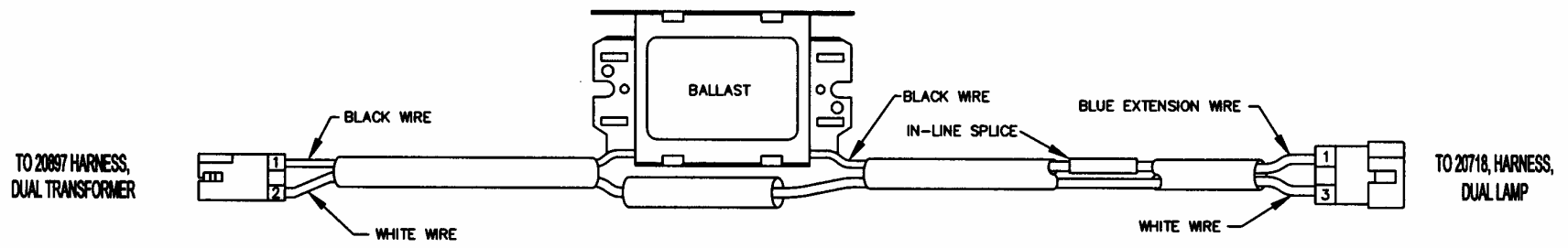
SHEET 7



SHEET 8

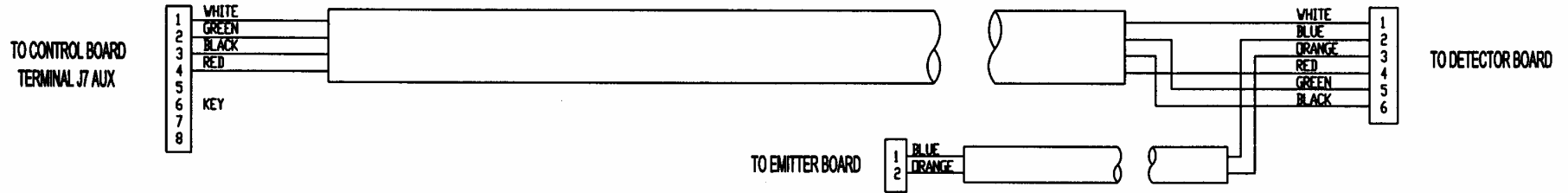


**20199, MEMBRANE SWITCH, 4 X 5**  
(HARNESS IS INTEGRAL WITH SWITCH)

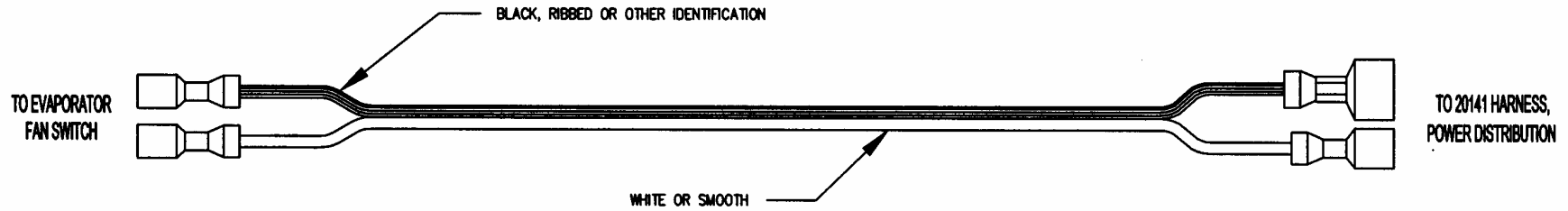


**20563, HARNESS, BALLAST ASSEMBLY 2**

SHEET 9



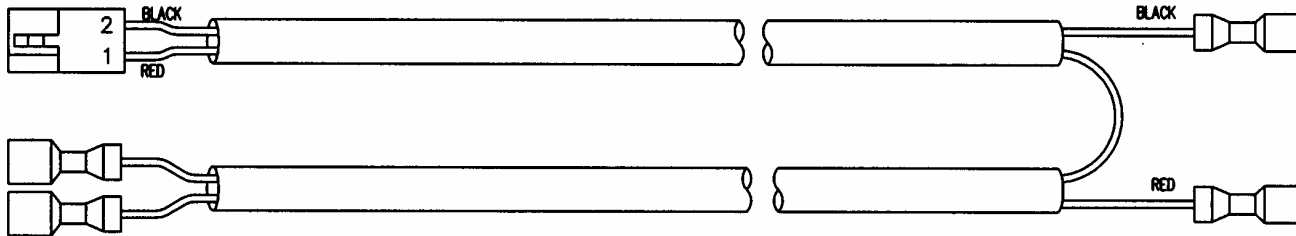
20679, HARNESS, VEND HOPPER PRODUCT SENSOR



20698, HARNESS, EVAPORATOR FAN SWITCH

SHEET 10

TO 20904 HARNESS, POWER  
AND REFRIGERATION RELAY,  
LEFT SIDE DOOR SWITCH

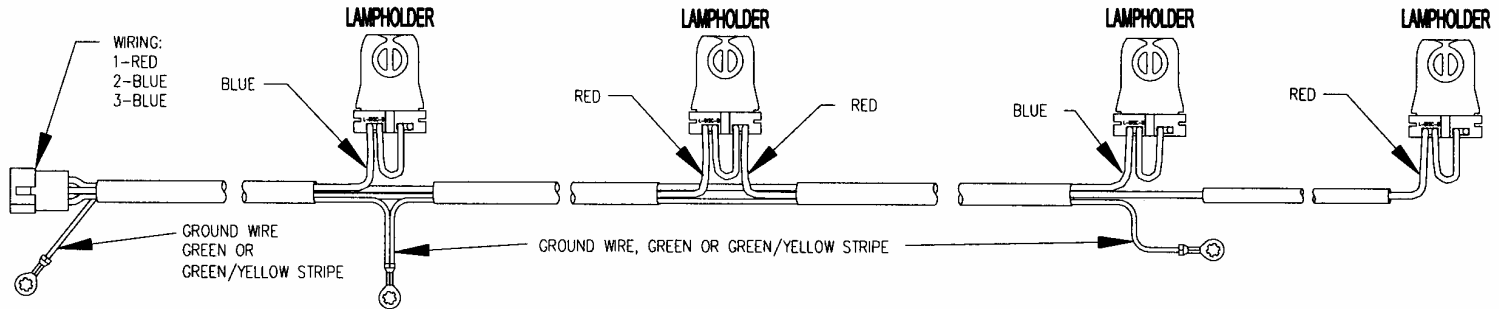


TO TRANSFORMER  
24 VAC SECONDARY

TO FUSE HOLDER

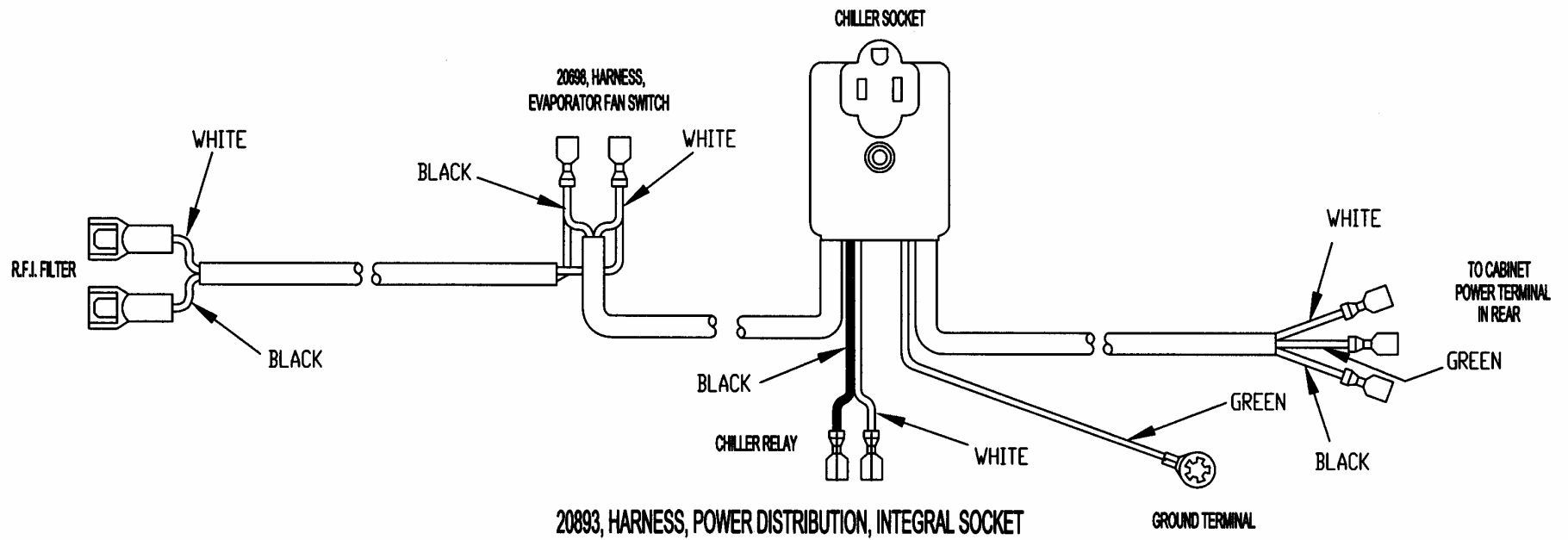
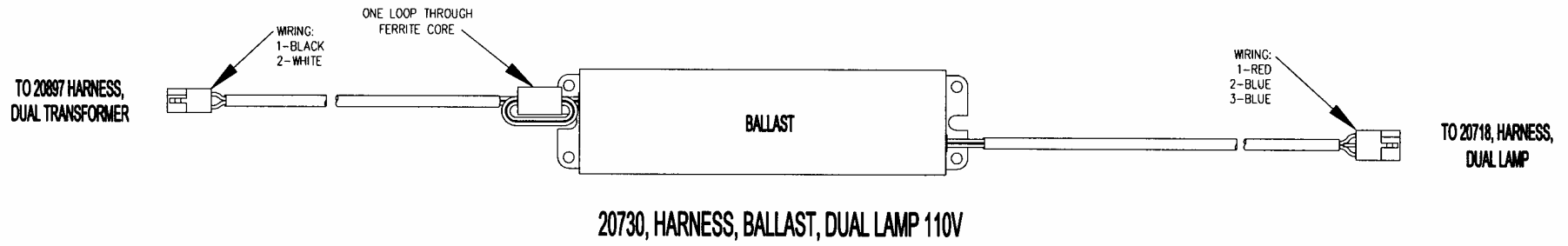
20701, HARNESS, TRANSFORMER AND FUSE

TO 20563, HARNESS  
BALLAST ASSEMBLY 2

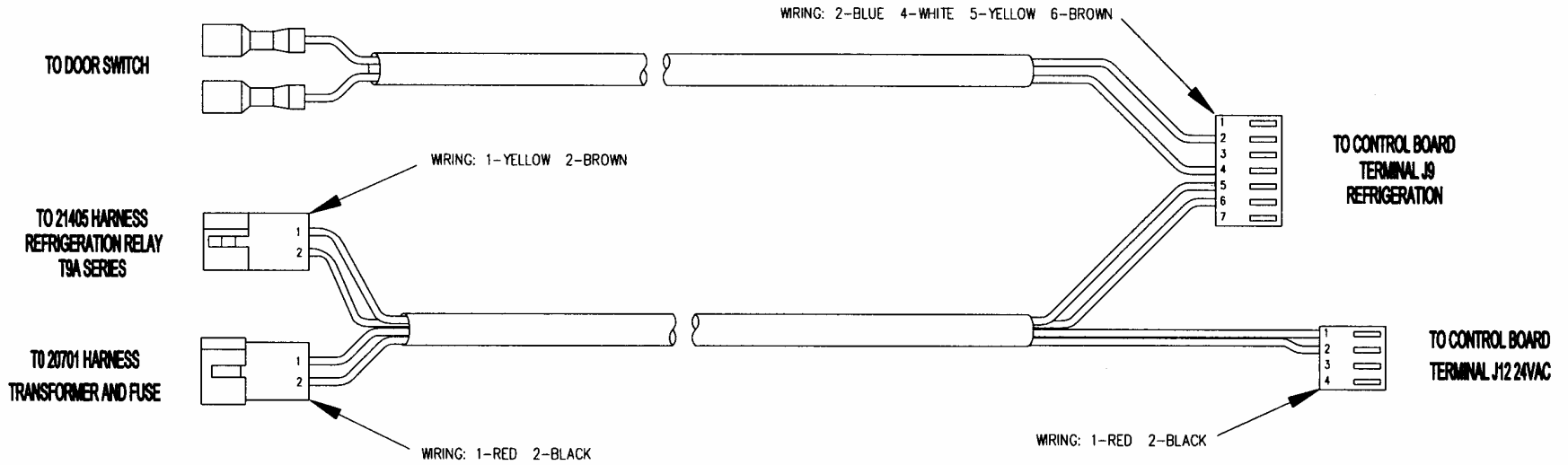


20718, HARNESS, DUAL LAMP 110V (39")

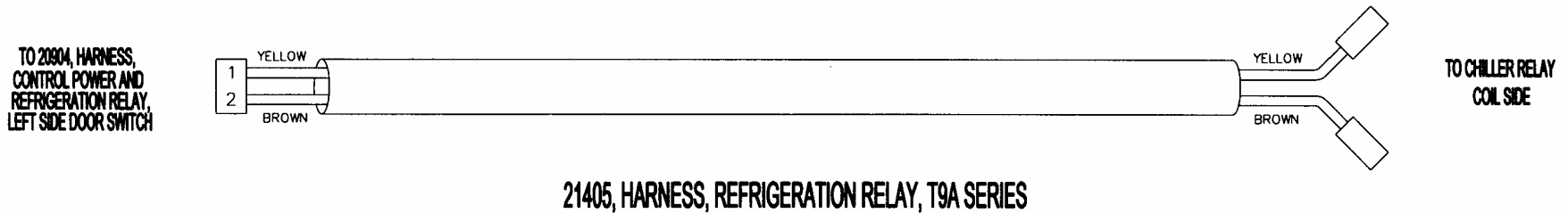
SHEET 11



SHEET 12

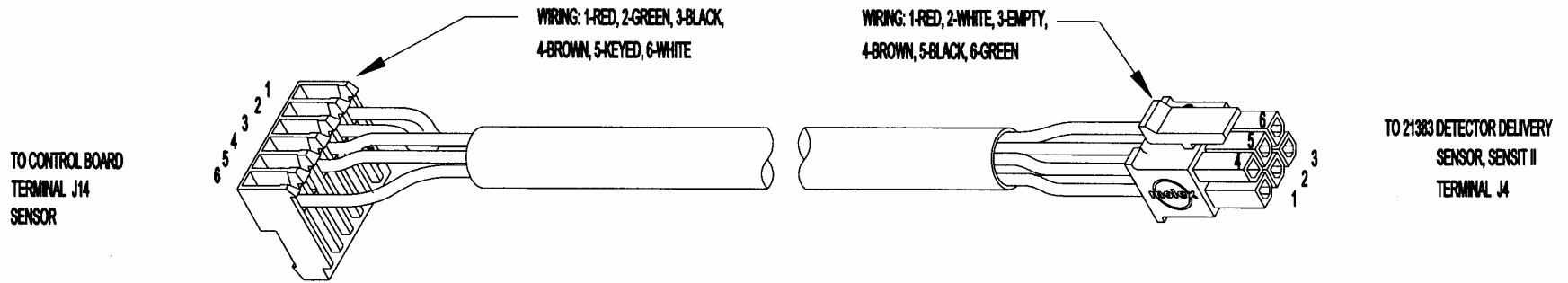


20904, HARNESS, CONTROL POWER AND REFRIGERATION RELAY, LEFT SIDE DOOR SWITCH

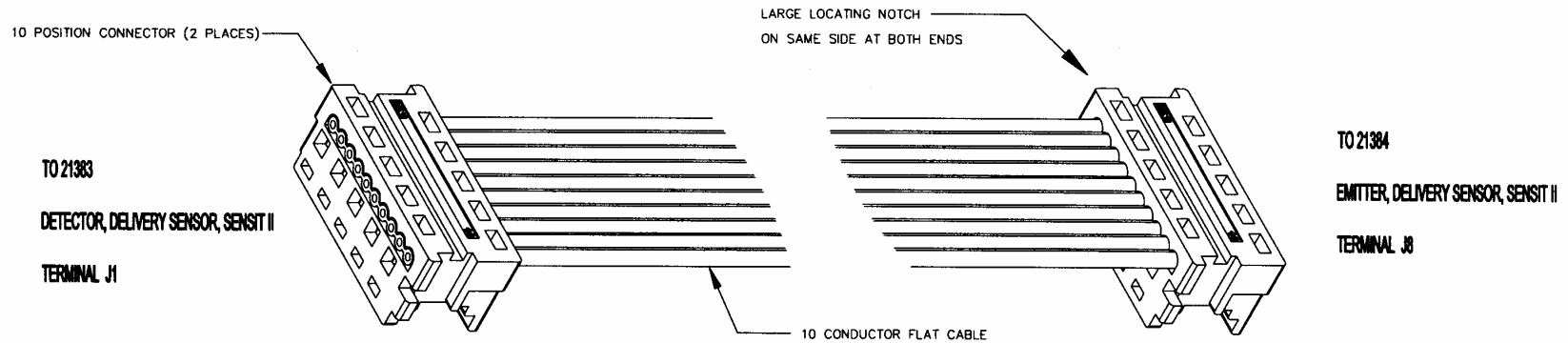


21405, HARNESS, REFRIGERATION RELAY, T9A SERIES

SHEET 13



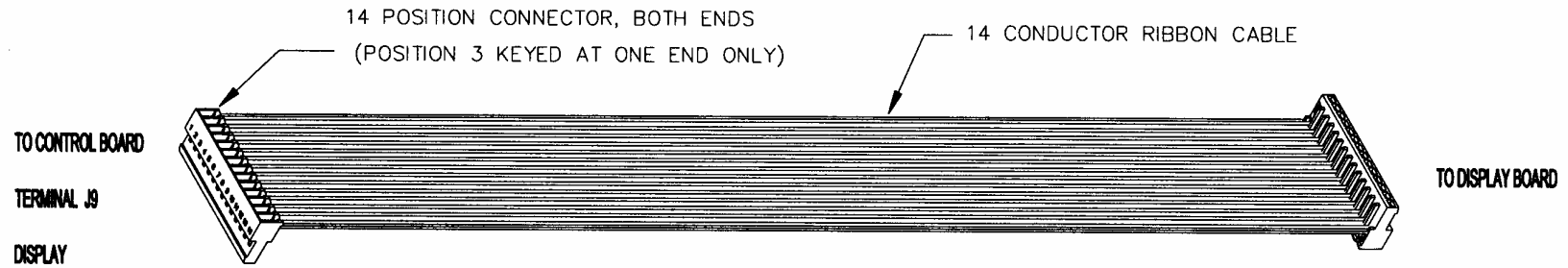
21425 HARNESS, DELIVERY SENSOR DETECTOR/CONTROL, SENSIT II



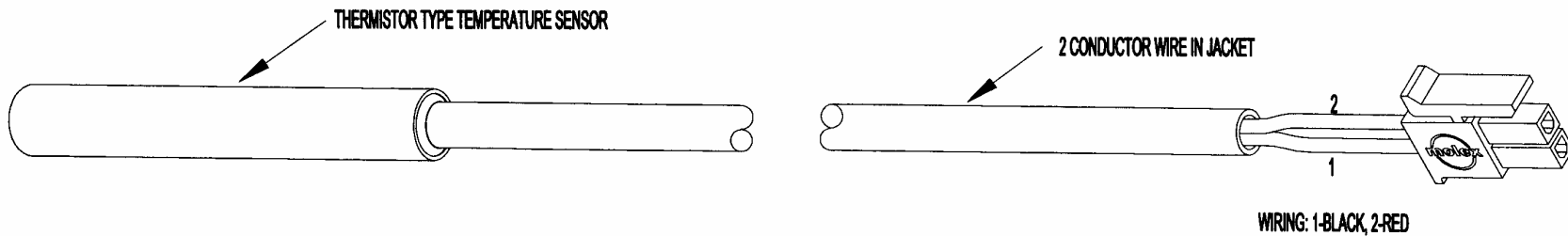
21426 HARNESS, DELIVERY SENSOR DETECTOR/EMITTER, SENSIT II



SHEET 14



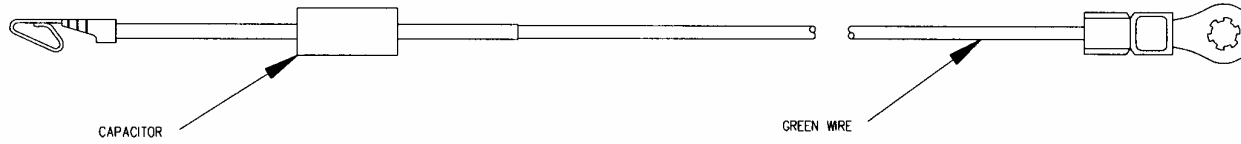
21432 HARNESS, DISPLAY, SENSIT II



21468 TEMPERATURE SENSOR, SENSIT II

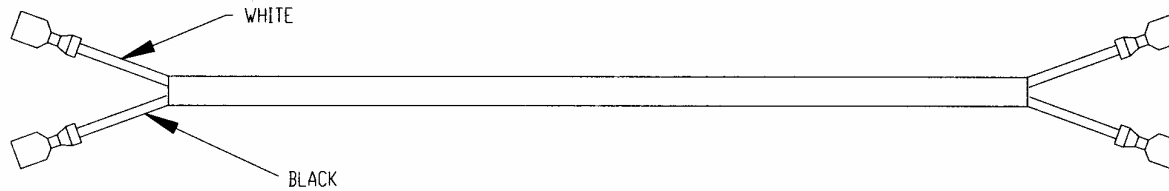
SHEET 15

TO TERMINAL POSITION #4  
OF HARNESS 20904  
(CONTROL BOARD  
TERMINAL J12 24VAC)



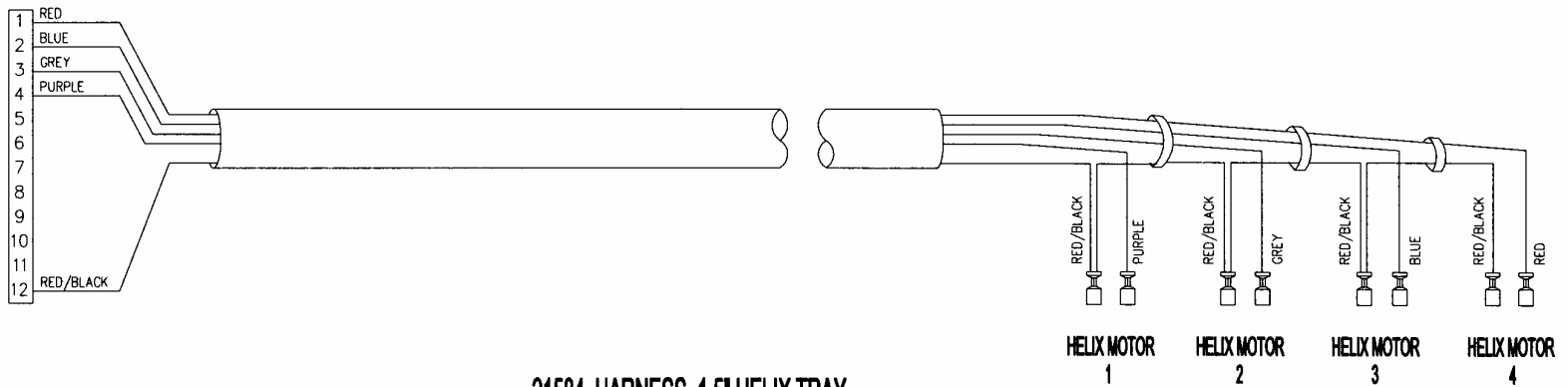
21480, HARNESS, CONTROL BOARD GROUND

TO ON/OFF SWITCH

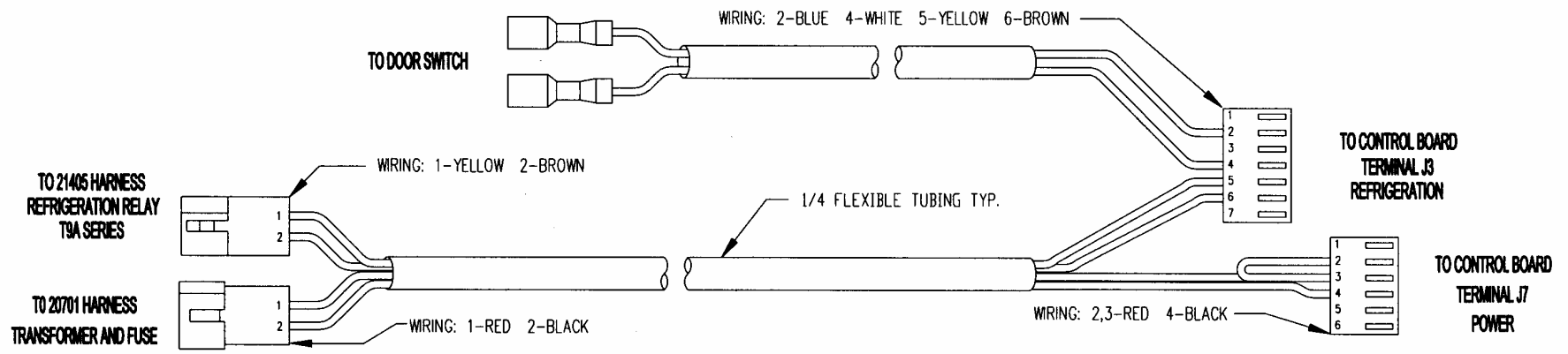


21485, HARNESS, ON/OFF SWITCH

TO 20148 HARNESS  
MOTOR DISTRIBUTION

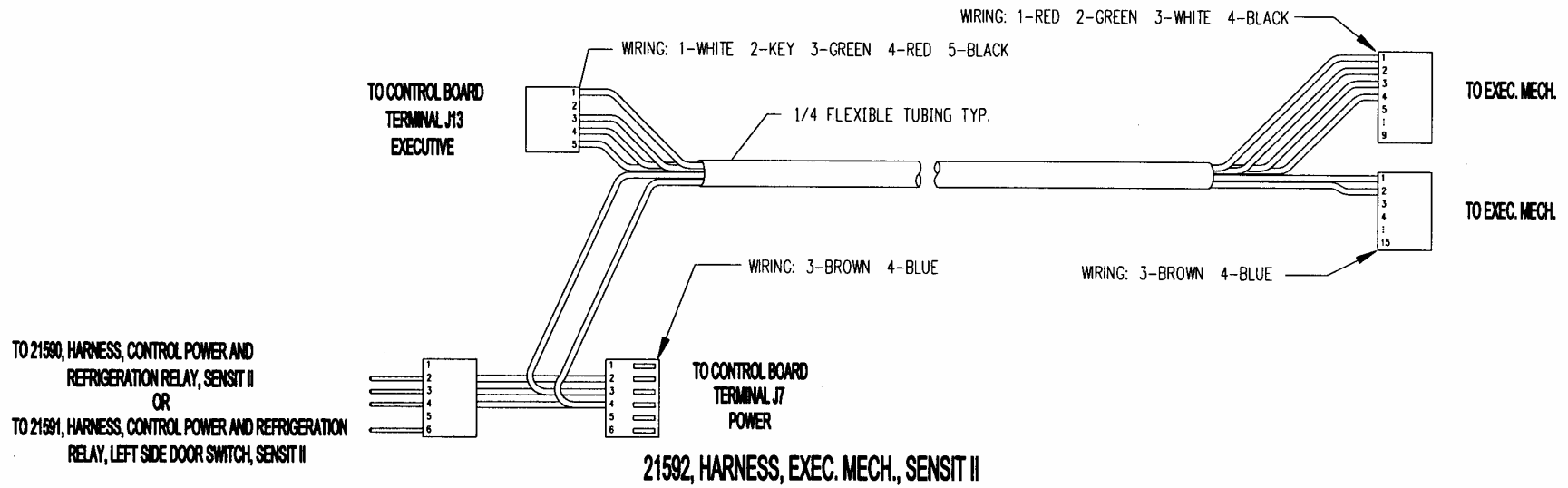


21584, HARNESS, 1.5" HELIX TRAY



21590, HARNESS, CONTROL POWER AND REFRIGERATION RELAY, SENSIT II

SHEET 17



ELECTRICAL HARNESSES PARTS LIST

SHEET	NOTES	PART NO.	PART DESCRIPTION	QTY
1	Integral to Sensor, Option for Chiller	20117	Temperature Sensor, Harness	1
1		20141	Harness, Power Distribution'	1
2	U.S. Use	20142	Power Cord Assembly	1
2	Ribbon Connector, Same Connector Both Ends	20143	Harness, Display	1
3	For Chiller Power	20144	Harness, Refrigeration, 115V (Not Labeled)	1
3		20146	Harness, Door Motors	1
4	Use For 5 Column Tray	20147	Harness, Tray, 10 Column	1
5		20148	Harness, Motor Distribution	1
6		20154	Harness, R.F.I. Filter Ground	1
6		20158	Harness, Multi-Drop Bus	1
6		20160	Harness, Gum and Mint Tray	1
7		20161	Harness, Sensor	1
7	Use For 4 Column Tray	20163	Harness, Tray, 8 Column	1
8	Integral to Keypad	20199	Keypad, Harness	1
8	Dual Lamps	20563	Harness Ballast Assembly 2	1
9		20679	Harness, Vend Hopper Product Sensor	1
9		20698	Harness, Evaporator Fan Switch	1
10		20701	Harness, Transformer and Fuse	1
10		20718	Harness, Dual Lamp, 110V, 39"	1
11		20730	Harness, Ballast, Dual Lamp, 110V	1
11		20893	Harness, Power Distribution, Integral Socket	1
12		20904	Harness, Control Power and Refrigeration Relay, Left Side Door Switch	1
12		21405	Harness, Refrigeration Relay T9A	1
13		21425	Harness, Delivery Sensor Detector/Control, Sensit II	1
13		21426	Harness, Delivery Sensor Detector/Emitter, Sensit II	1
14		21432	Harness, Display, Sensit II	1
14	Integral to Sensor, Option for Chiller	21468	Temperature Sensor, and Harness, Sensit II	
15	Optional as Required	21480	Harness, Control Board Ground	1
15		21485	Harness, On/Off Switch	1

---

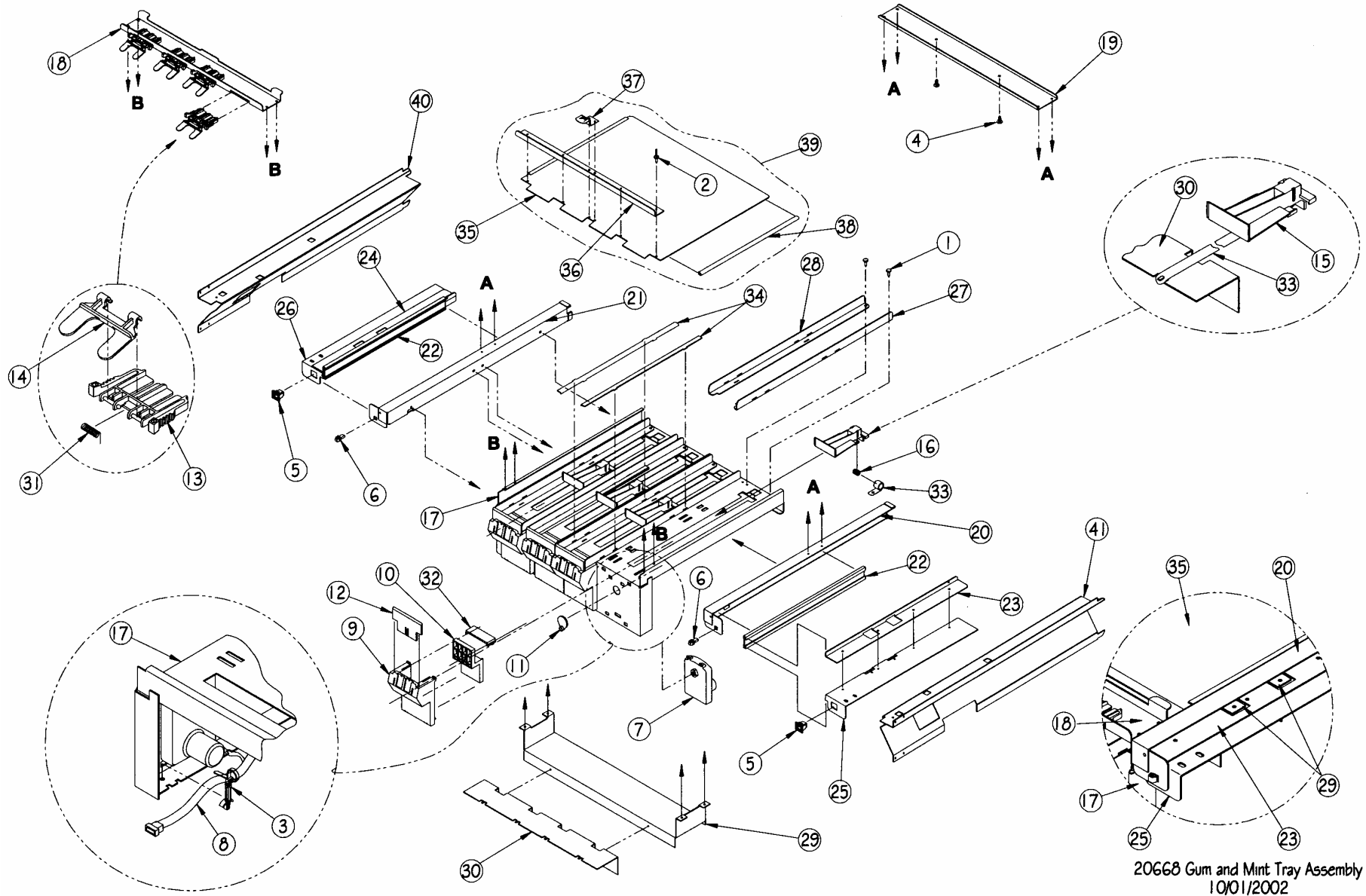
15		21584	Harness, 1.5" Helix Tray	1
16		21590	Harness, Control Power & Refrigeration Relay (Snack Vendors Only) Sensit II	1
17		21592	Harness, Executive Mech Connector, Sensit II	1

---

---

THIS PAGE INTENTIONALLY LEFT BLANK

### GUM AND MINT TRAY ILLUSTRATION



20668 Gum and Mint Tray Assembly  
10/01/2002



GUM AND MINT TRAY PARTS LIST

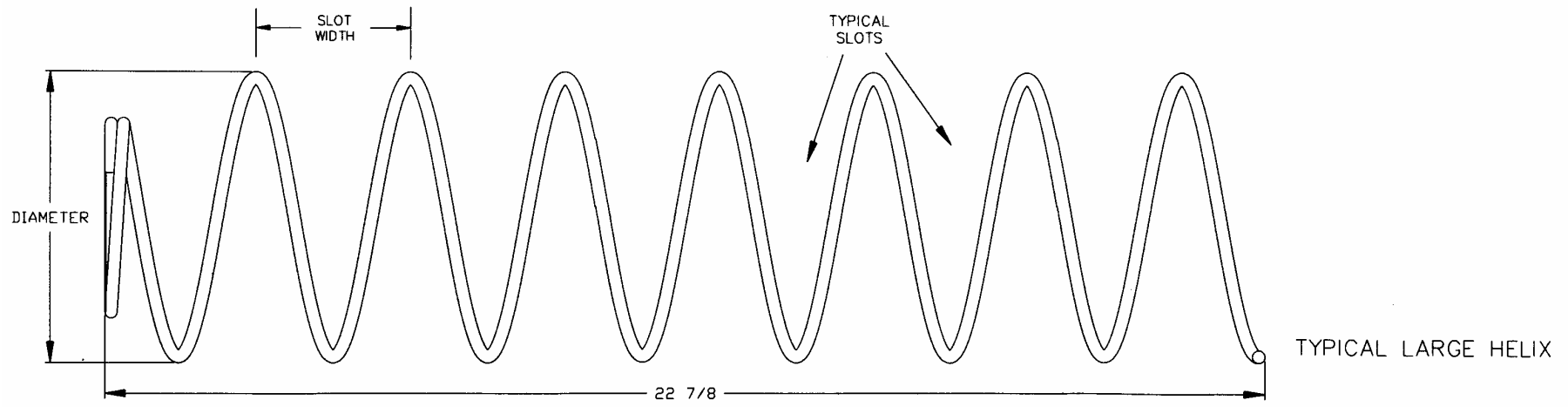
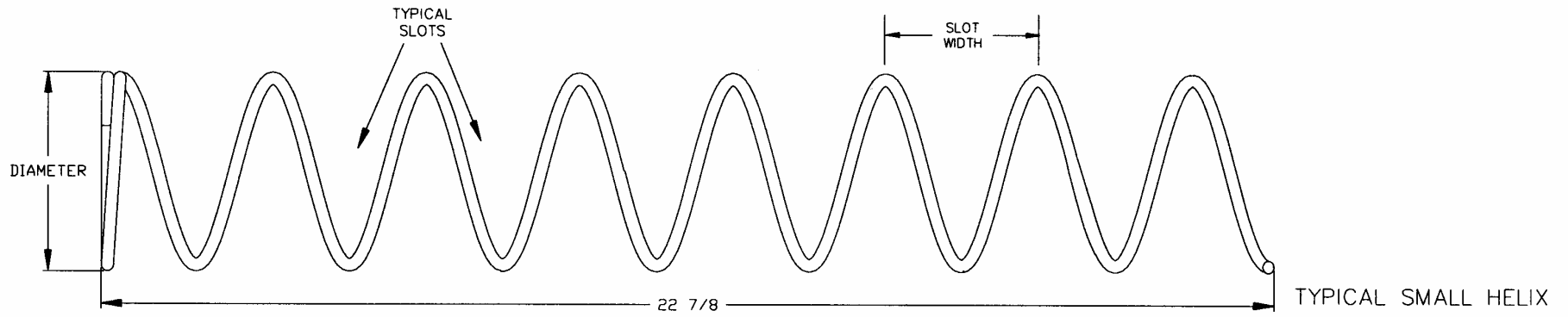
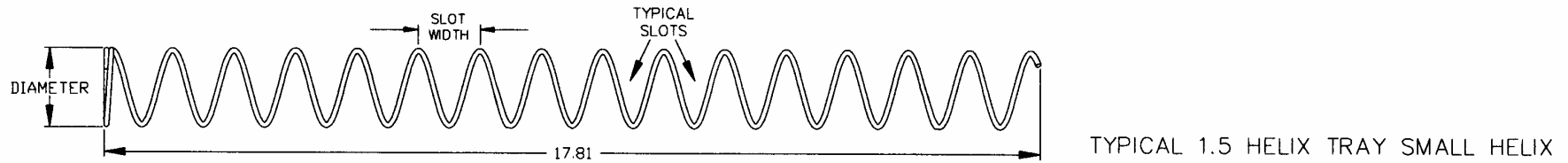
ITEM	NOTE	PART NO.	PART DESCRIPTION	QTY
1		3000	Screw, Sheet Metal, TEK-8-18	12
2		3009-02	Rivet, Pop, Steel, 1/8 X 1/4	44
3		3042-01	Wire Tie, Panel Mount (1")	1
4		3046	Bumper	2
5		3246	Latch, Nylon, Gum And Mint	2
6		3247	Strike, Nylon, Gum And Mint	2
7		20087	Motor, Single Helix With Switch	4
8		20160	Harness, Gum And Mint Tray	1
9		20223	Housing, Product Stripper (Gum And Mint)	4
10		20224	Product Stripper (Gum And Mint)	4
11		20225	Crank, Product Stripper (Gum And Mint)	4
12		20226	Screen, Product Retainer (Gum And Mint)	4
13		20227	Flipper Base	4
14		20228	Flipper	4
15		20229	Pusher (Gum And Mint)	4
16		20230	Pusher Spring Hub (Gum And Mint)	4
17		20231	Tray (Gum And Mint)	1
18		20233	Front Brace (Gum And Mint)	1
19		20234	Rear Brace (Gum And Mint)	1
20		20235	Tray Slide Channel (Gum And Mint)	1
21		20235-01	Tray Slide Channel (Gum And Mint)	1
22		20236	Extrusion, Gum And Mint Rail	2
23		20237	Extrusion Mount Upper (Gum And Mint)	1
24		20237-01	Extrusion Mount Upper (Gum And Mint)	1
25		20238	Extrusion Mount Lower (Gum And Mint)	1
26		20238-1	Extrusion Mount Lower (Gum And Mint)	1
27		20239	Divider, Gum And Mint (Rh)	4
28		20239-01	Divider, Gum And Mint (Lh)	4
29		20241	Rail, Cross Brace, Gum And Mint	1

30		20242	Spring, Retainer, Gum And Mint	1
31		20274	Spring, Flipper (Gum And Mint)	4
32		20300	Housing Top Plate	4
33		20327	Pusher, Spring, Gum And Mint	4
34		20422	Divider Shim, Gum And Mint	4
35	Part of Assembly 20705	20434	Tray Lid, 2 Piece, Gum And Mint	1
36	Part of Assembly 20705	20435	Flange, Tray Lid, 2 Piece, Gum And Mint	1
37	Part of Assembly 20705	20646	Latch, Spring, Gum And Mint	1
38	Part of Assembly 20705	20796-03	Edge Trim, Tray Corner	2
39		20705	Assembly, Lid, Gum And Mint	1
40	For 39' Vendors	20973	Rail, Gum and Mint, Reduced Depth (39")(Right Side)	1
41	For 39' Vendors	20973-01	Rail, Gum and Mint, Reduced Depth (39")(Left Side)	1

---

THIS PAGE INTENTIONALLY LEFT BLANK

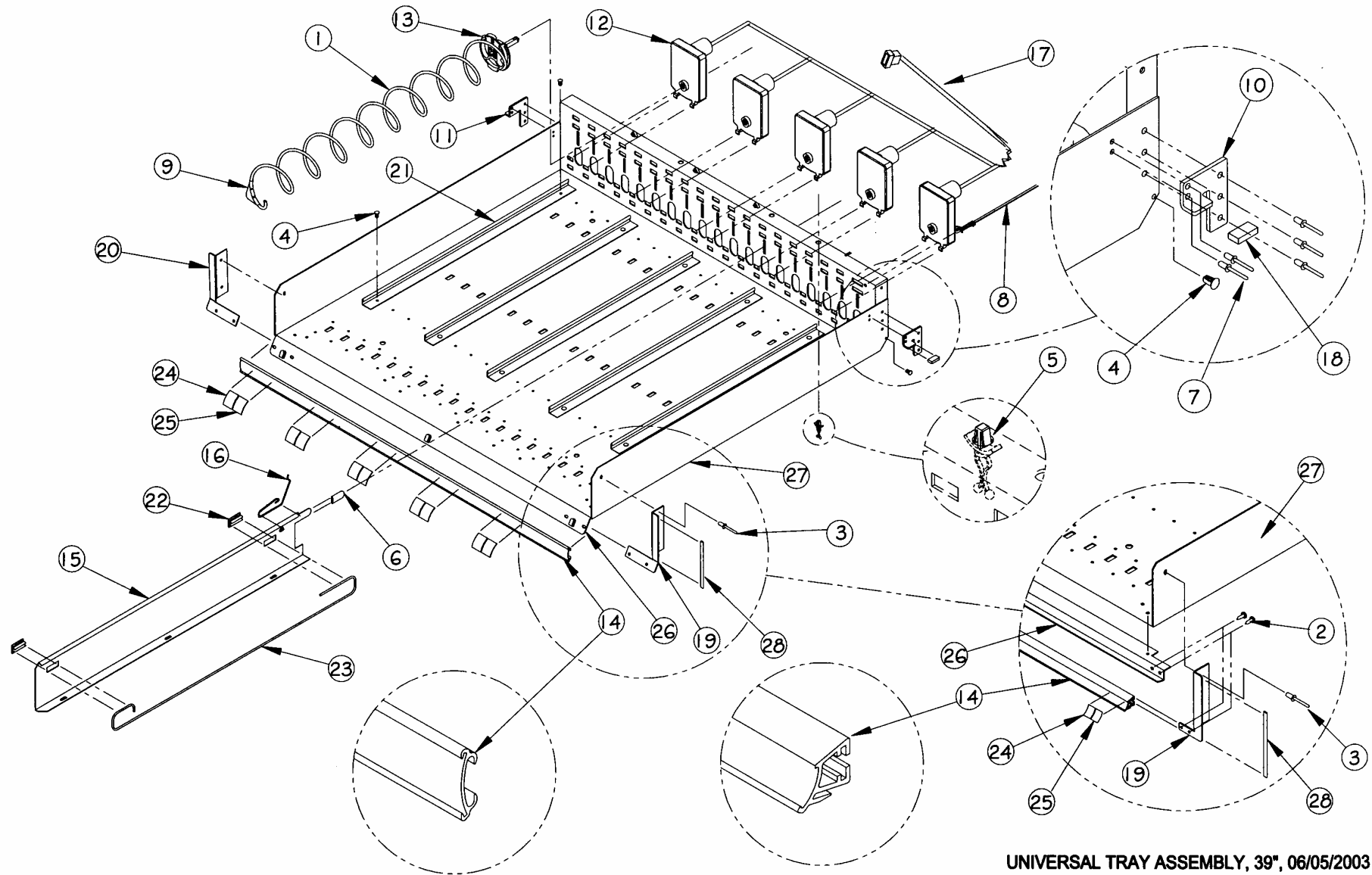
HELIX ILLUSTRATION



HELIX PARTS LIST

PART NO.	HELIX DESCRIPTION *	SLOT (VEND) WIDTH	NUMBER OF SLOTS (PITCH)	HELIX OUTSIDE DIAMETER	TURNS	NOTE
20119-07	Helix, Small CW, Black	2 5/8	7	2.6	CW	Use With 20120-07 As A Set
20120-07	Helix, Small CCW, Black	2 5/8	7	2.6	CCW	
20119-10	Helix, Small CW, Black	1 7/8	10	2.6	CW	Use With 20120-10 As A Set
20120-10	Helix, Small CCW, Black	1 7/8	10	2.6	CCW	
20120-12	Helix, Small CCW, Black	1 7/8	12	2.6	CCW	
20120-15	Helix, Small CCW, Black	1 7/8	15	2.6	CCW	
20120-18	Helix, Small CCW, Black	1 7/8	18	2.6	CCW	
20120-24	Helix, Small CCW, Black	1 7/8	24	2.6	CCW	
21207-15	Helix, 1.5", CCW, Black	1	15	1.5	CCW	Use in 1.5" Helix Tray
21207-25	Helix, 1.5", CCW, Black	9/16	25	1.5	CCW	Use in 1.5" Helix Tray
21336	Helix, 3", CCW, Black	3.5	6	3	CCW	Bottle Tray
21337	Helix, 3", CCW, Black	3.2	6	3	CCW	Bottle Tray
21465-5	Helix, 3.75" CCW, Black	3 ¼	5	3.75	CCW	Large
21465-7	Helix, 3.75" CCW, Black	2 5/8	7	3.75	CCW	Large
21465-9	Helix, 3.75" CCW, Black	2	9	3.75	CCW	Large
21465-10	Helix, 3.75" CCW, Black	1 ¾	10	3.75	CCW	Large
21465-12	Helix, 3.75" CCW, Black	1 ½	12	3.75	CCW	Large
21465-15	Helix, 3.75" CCW, Black	1 ¼	15	3.75	CCW	Large

UNIVERSAL (FOOD/SNACK/CANDY) TRAY ILLUSTRATION



UNIVERSAL TRAY ASSEMBLY, 39", 06/05/2003

UNIVERSAL (FOOD/SNACK/CANDY) TRAY PARTS LIST  
(5-COLUMN SET-UP SHOWN)

ITEM	NOTE	PART NO.	PART DESCRIPTION	QTY
1	Customer set-up determines helix used. Refer to Helix Description Section.	---	Helix	5
2		3001-03	Screw, Sheet Metal, Type B, #8-18 (3/8" Long)	4
3		3009-02	Rivet, Pop, Steel, 1/8 (1/8" Grip)	12
4		3019	Canoe Clip	12
5		3020	Wire Tie, Standoff	1
6		3021	Divider Cap	4
7		3039-01	Rivet, Pop, Multi-Grip, 1/8	10
8		3042-01	Wire Tie, Panel Mount	1
9		3111	Helix Ejector	5
10		20073	Tray Stop (Rh)	1
11		20073-01	Tray Stop (Lh)	1
12		20086	Motor, Single Helix	5
13	Before SN 0001-1088	20102	Helix Adapter	5
	SN 0001-1088 And After	20966	Helix Adapter, Without Hub	
14	Before SN 0001-1088	20109-01	Extrusion, Price Marker	1
	SN 0001-1088 And After	20465-02	Extrusion, Price Marker, Reduced Height	
15	Before SN 0001-1088 Qty determined by set-up.	20132	Tray Divider	4
	SN 0001-1088 And After, Qty determined by set-up. Use with 20955.	20956	Tray Divider, Reduced Depth	
	Before SN 0001-1088, For Tall Product, Qty determined by set-up.	20507	Tray Divider, High	
	SN 0001-1088 And After, For Tall Product, Qty determined by set-up. Use with 20955.	20984	Tray Divider, High, Reduced Depth	
16		20133	Tray Divider Spring	4
17	Use for % column set-up	20147	Harness, Tray, 10 Column	1
18		20190	Bearing, Tray Stop Tab	2
19	Obsolete	20200	Tray, Corner Reinforcement (Rh)	1
		20545	Tray Corner, Ver. 2 (Rh)	

20	Obsolete	20200-01	Tray, Corner Reinforcement (Lh)	1
		20545-01	Tray Corner, Ver. 2 (Lh)	
21	Qty determined by set-up.	20202	Helix Alignment Device	4
22		20220	Extrusion, Candy Pusher	8
23		20221	Bar, Candy Pusher	4
24	Use on extrusion 20109-01 only	20253	Label Sheet, Location	1
	Use on extrusion 20465-02 only	20613	Label Sheet, Reduced Height Location	
25	Use on extrusion 20109-01 only	20254	Label Sheet, Price	1
	Use on extrusion 20465-02 only	20614	Label Sheet, Reduced Height Price	
26		20122	Tray Doubler (39")	1
		20544	Tray Doubler, Ver. 2 (39")	
27	24.44" Long	20320	Tray Body, Universal, 39"	1
	23.89" Long. Use after S/N 0007-1055-D0.	20955	Tray Body, Reduced Depth, (39")	
28		20796-01	Edge Trim, Tray Corner	1